

# Swell Flush Installation Guide

Pablo®

PAGE 1/2

CAUTION - We recommend this fixture be installed by a licensed Electrician.

Before assembling and installing this product, carefully read the following:

- When installing multiple lamps; these fixtures must be wired in parallel in order to achieve the best possible light quality from each lamp. Wiring in series will result in the progressive loss of performance as the lamps move further away from the building power.
- Switch off power to the junction box before installing the lamp.
- Move light switch into the OFF position.
- When mounting to the ceiling, always use appropriate anchoring hardware.
- This lamp has an IP44 Damp Rating; suitable for indoor use including most humid and damp areas such as bathrooms.
- We recommend reading the guide before you begin installation.
- Installation Guides can be downloaded from [Pablodesigns.com](http://Pablodesigns.com) in the case this document is lost or damaged.
- Do not disassemble, modify or try to repair this fixture! In order to receive technical assistance contact Pablo Designs. Any modification to the fixture will nullify the manufacturer's warranty.

#### IMPORTANT INFORMATION ABOUT MATERIALS/FINISHES (GLASS FIXTURES):

- Glass is a material which is fragile and can be easily damaged when mishandled.
- One of the main characteristics of Opal glass is that it is hand blown. Small imperfections like; air bubbles, thickness variations, or scratches can occur during the production process. These imperfections underline the craftsmanship, the exclusivity and authenticity of hand blown Opal glass.

#### CLEANING INSTRUCTIONS:

- Use only a soft cloth to clean this fixture, dampened with water or mild cleanser if required, DO NOT use alcohol, solvents, or other abrasive cleaners, as this could damage the lamp finish.

#### TECHNICAL SPECIFICATIONS

BULB TYPE: E26/PAR30 LED

11 Watt

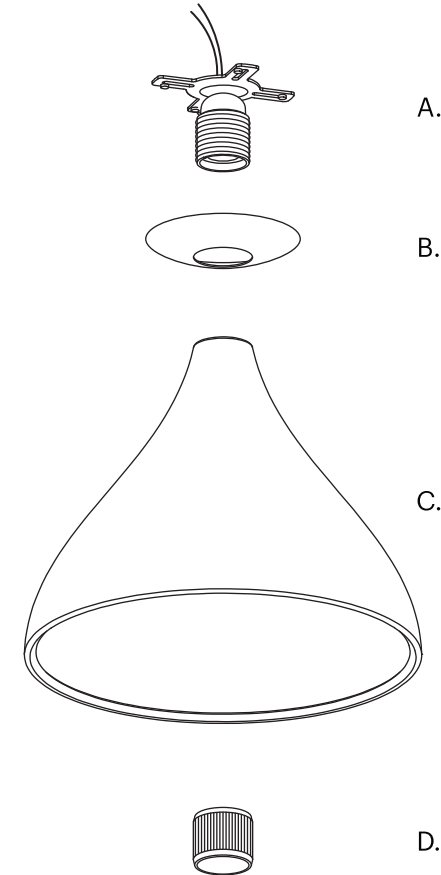
3000K

1000 Lumens

## Contents

SWELL FLUSH SHIPS IN MULTIPLE BOXES IN ORDER TO ENSURE THE SAFETY OF ALL COMPONENTS.

- A. SOCKET ASSEMBLY (CANOPY BRACKET)
- B. CANOPY COVER
- C. SWELL SHADE
- D. CHECK RING



IF THERE ARE MISSING OR DAMAGED PARTS, PLEASE CONTACT US AS SOON AS POSSIBLE TO FILE A REPORT. CLEAR PHOTOS AND DESCRIPTIONS WILL ENABLE OUR CUSTOMER SERVICE TEAM TO QUICKLY AND EFFECTIVELY ADDRESS YOUR CLAIM.

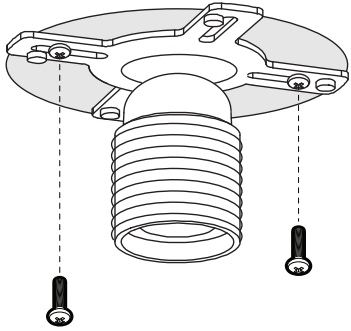
(415) 865-5000  
888 MARIN STREET  
SAN FRANCISCO, CA 94124  
[INFO@PABLODESIGNS.COM](mailto:INFO@PABLODESIGNS.COM)  
[\[INFO@PABLODESIGNS.EU\]](mailto:INFO@PABLODESIGNS.EU)

# Swell Flush Installation Guide

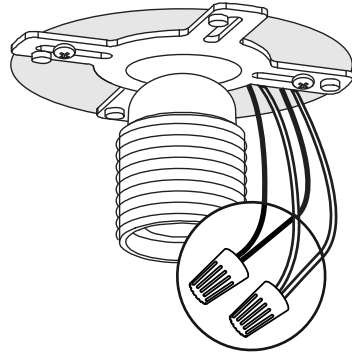
Pablo®

PAGE 2/2

- 1** Secure CANOPY BRACKET to junction box using the appropriate hardware.

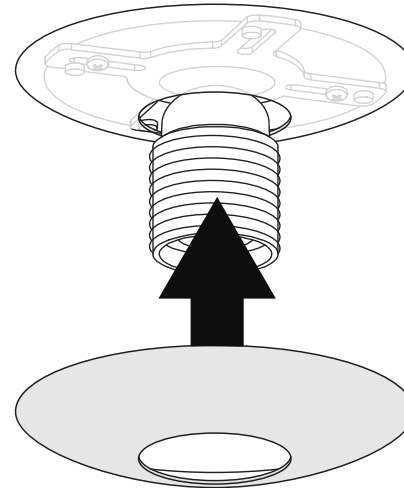


- 2** Wire SOCKET to BUILDING:  
**[BLACK TO BLACK - LINE]**  
**[WHITE TO WHITE - NEUTRAL]**

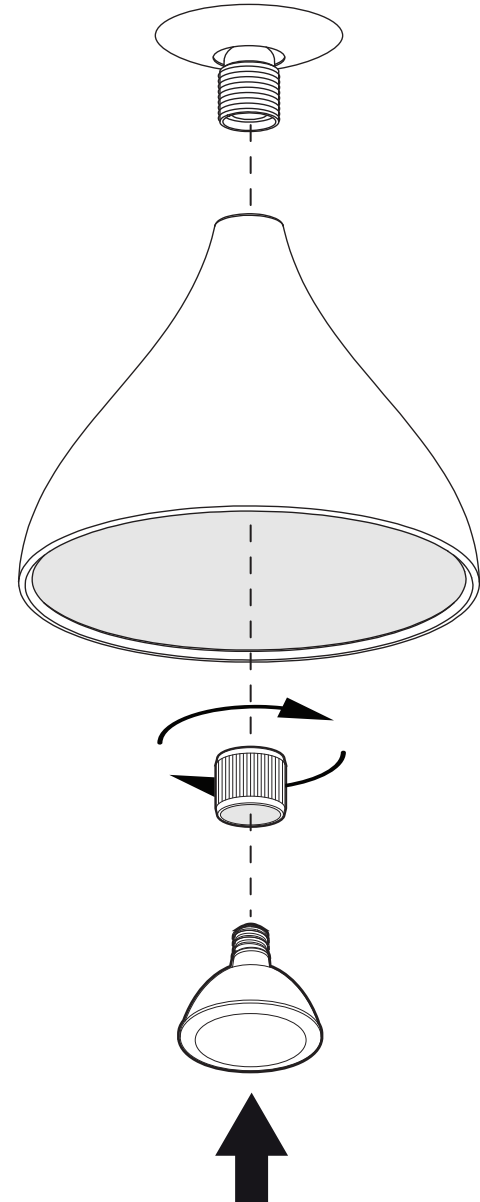


NOTE! NEATLY TUCK WIRES AND CONNECTORS UP INTO THE JUNCTION BOX.

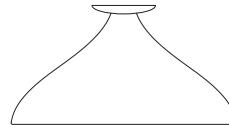
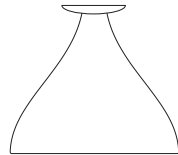
- 3** Secure CANOPY COVER to CANOPY BRACKET via magnetic connection.



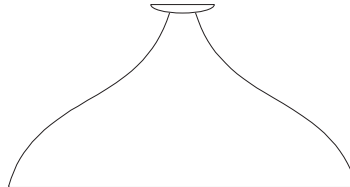
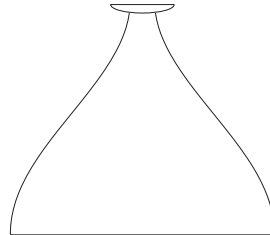
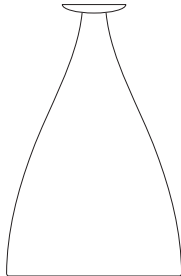
- 4** Secure SHADE to SOCKET using the CHECK RING. Install the bulb.



SWELL FLUSH



SWELL XL FLUSH



NARROW

MEDIUM

WIDE