

Pablo®

CORTINA

24, 48, 60, 72 ASSEMBLY & INSTALLATION INSTRUCTIONS

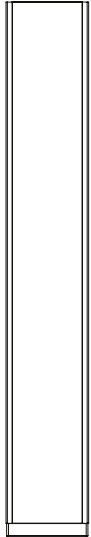
Pablo®



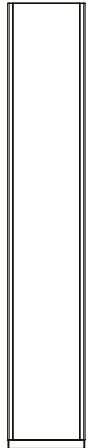
APPROVED COMPONENTS

Pablo® CORTINA

CORTINA MODELS



CORTINA 72



CORTINA 60



CORTINA 48



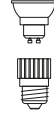
CORTINA 24

BULB TYPE

2X E27 / 7W - GU10 LED (3000K-1800K DTW)
+ E27 ADAPTER

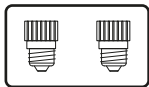
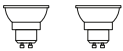
CARE INSTRUCTIONS

WIPE CLEAN WITH A SOFT DAMP CLOTH.
AVOID AMMONIA-BASED CLEANERS.

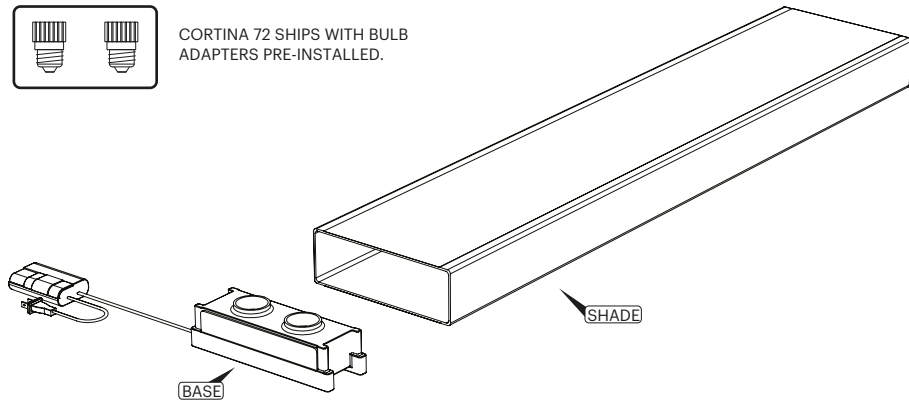


ASSEMBLY

- 1 REMOVE PARTS FROM PACKAGING. BULBS ARE LOCATED INSIDE SHADE

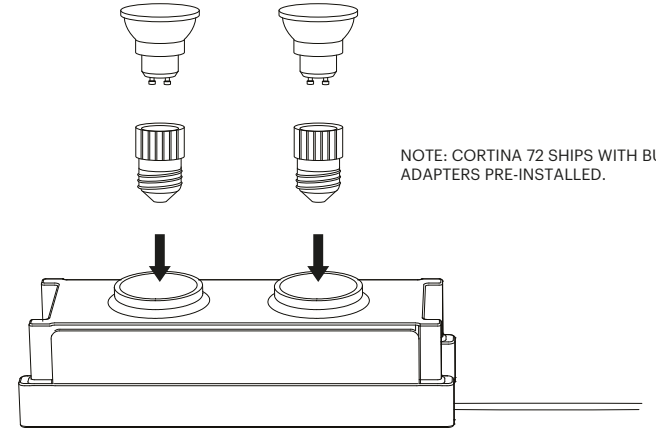


CORTINA 72 SHIPS WITH BULB ADAPTERS PRE-INSTALLED.



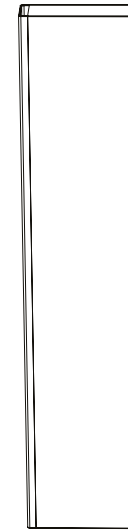
ASSEMBLY

- 2 SCREW BULB ADAPTERS INTO LAMP BASE FOLLOWED BY THE BULBS.



NOTE: CORTINA 72 SHIPS WITH BULB ADAPTERS PRE-INSTALLED.

ASSEMBLY



- 3 PRESS FIT SHADE OVER BASE AS SHOWN

