

SOLIS DRUM 24/36

DESCRIPTION

The new Solis Drum Pendant is the latest addition to the elegant Solis suspension family. Featuring a uniquely engaging blend of light and shadow, Solis Drum is made of laser cut polyester fabric combined with an aluminum top and bottom ring construction that allows the shade to hang under tension. Solis Drum also employs a stunning LED dome diffuser that spans across the full diameter of the top ring, radiating light down and sideways to cast shimmering warm patterns onto the space that surrounds it. The effect is a sense of weightlessness that invites a new kind of relationship with the light source. Perfect over a dining table, an entryway or in large groupings.

FIXTURE TYPE

Pendant

LIGHT SOURCE

High-output LED array

PRODUCT CODES

Solis Drum 24 (White):	SOLI DR 24 WHT
Solis Drum 24 (Black):	SOLI DR 24 BLK
Solis Drum 24 (Brown):	SOLI DR 24 BRN
Solis Drum 24 (Silver):	SOLI DR 24 SLV
Solis Drum 36 (White):	SOLI DR 48 WHT
Solis Drum 36 (Black):	SOLI DR 48 BLK
Solis Drum 36 (Brown):	SOLI DR 48 BRN
Solis Drum 36 (Silver):	SOLI DR 48 SLV

LIGHT CONTROL

Hard-wired

FEATURES

- Ships flat-packed
- Full-range dim with ELV dimmers
- Fire retardant polyester fabric

SPECIFICATIONS

- Voltage: 120-277V 50-60Hz
- Power Consumption: 35W(24") 80W(36")
- Color Temperature: 2700K
- Luminosity: 2500 Lumens (24") 5600 Lumens (36")
- Luminaire efficacy: 71 Lumens/Watt
- Color Rendition Index: 85 CRI
- 50K hour lifespan
- Cable length: 10' (305cm) (Field Cuttable)

CERTIFICATIONS



PACKAGING WEIGHT AND DIMENSIONS

Solis Drum 24:	11LBS	26" X 26" X 6"
	5KGS	61cm X 61cm X 15cm
Solis Drum 36:	16.4LBS	38" X 38" X 8"
	7.5KGS	96.5cm X 96.5cm X 20.3cm

NOTES

Custom requests can be considered on volume orders

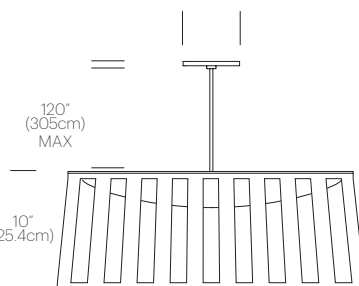
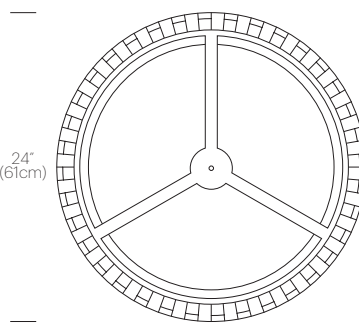


FINISHES



DIMENSIONS

SOLIS DRUM 24



SOLIS DRUM 36

