

Pablo®

# LIM360

## ASSEMBLY & INSTALLATION INSTRUCTIONS

INFO@PABLODESIGNS.COM  
888 MARIN STREET  
SAN FRANCISCO, CA  
94124

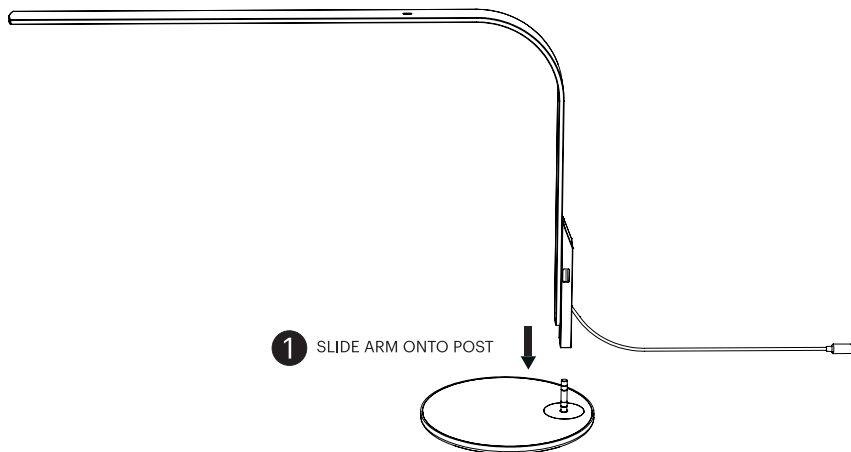
PABLODESIGNS.COM



# Pablo®

## LIM360

### ASSEMBLY



### PLUG TYPES AVAILABLE:



N. AMERICA



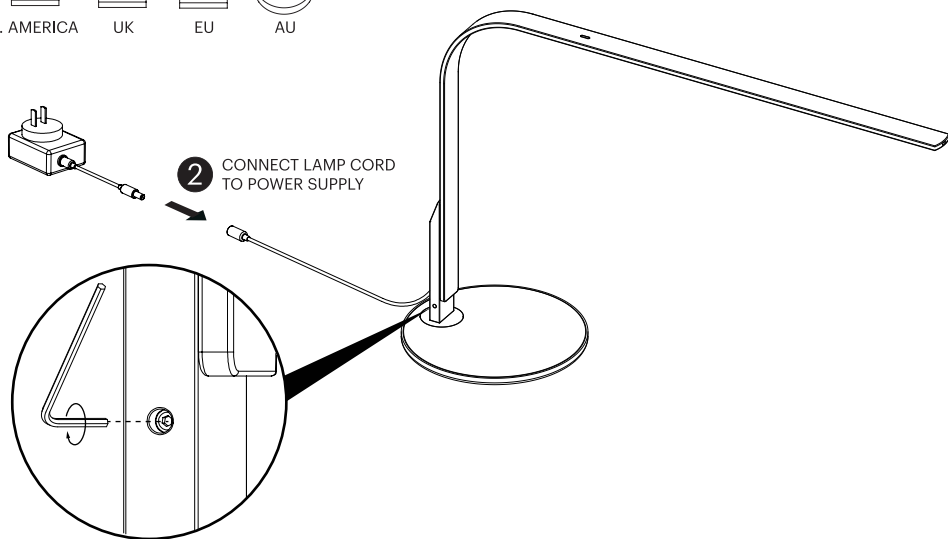
UK



EU



AU

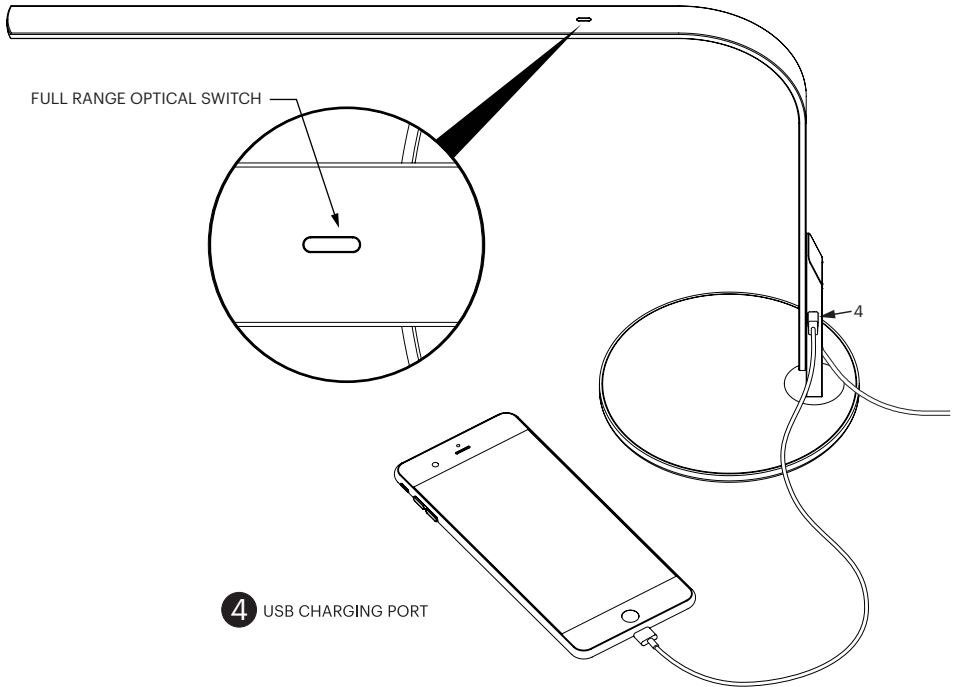


3 TIGHTEN SET SCREW WITH PROVIDED HEX KEY TO PREVENT REMOVAL OF ARM FROM BASE

# Pablo®

# LIM360

## LIM360 USB CHARGING



## SWITCH CONTROL

TAP OPTICAL SWITCH BRIEFLY TO CYCLE THROUGH HIGH, LOW AND OFF. PRESS AND HOLD OPTICAL SWITCH TO ACTIVATE FULL RANGE DIM CONTROL. RELEASE FINGER FROM OPTICAL SWITCH WHEN DESIRED LIGHT LEVEL IS REACHED.

## USB SPECIFICATIONS

SINGLE 5.0V USB OUTPUT SUPPORTS CHARGING FOR SMARTPHONES, TABLETS AND OTHER MOBILE DEVICES.  
USB 2.0 OR 1.1 STANDARD CORD REQUIRED (CORD NOT INCLUDED)  
OUTPUT VOLTAGE: 5VDC + - 5%  
OUTPUT CURRENT: 1A MAX

## NOTE

LIM360 WILL CONTINUE TO CHARGE YOUR MOBILE DEVICE EVEN WHEN LAMP IS IN THE "OFF" POSITION.

PLEASE REFER TO YOUR MOBILE DEVICE'S USER MANUAL FOR COMPATIBILITY AND CHARGING TIME. PLEASE REFRAIN FROM LEAVING YOUR DEVICE PLUGGED IN FOR LONGER THAN THE RECOMMENDED TIME, OTHERWISE IT MAY RESULT IN OVER CHARGING.

PRESS AND HOLD SWITCH FOR 2.5 SECONDS TO TURN OFF. PRESS BRIEFLY TO CYCLE THROUGH THREE STAGES.

## CARE INSTRUCTIONS

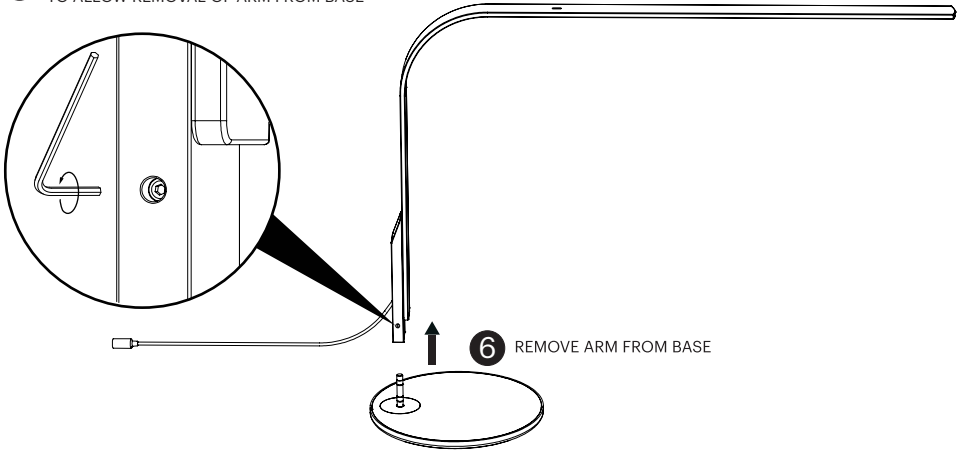
WIPE CLEAN WITH A SOFT DAMP CLOTH. AVOID AMMONIA-BASED CLEANERS

# Pablo®

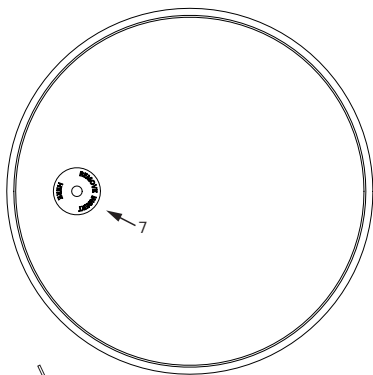
## LIM360

### BASE INSERT REMOVAL

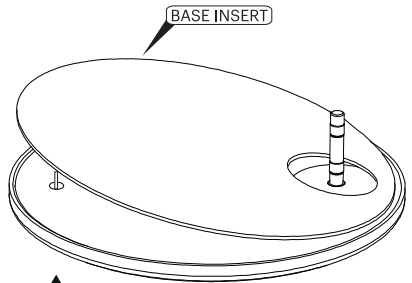
- 5** LOOSEN SET SCREW WITH PROVIDED HEX KEY TO ALLOW REMOVAL OF ARM FROM BASE



NOTE: REMOVAL OF INSERT IS INTENDED FOR CLEANING AND REPLACEMENT PURPOSES. CONTACT MANUFACTURER TO ORDER REPLACEMENT INSERTS.



- 7** INSERT PAPER CLIP INTO HOLE ON BOTTOM OF BASE



- 8** PUSH UP ON BASE INSERT WITH PAPER CLIP. GRAB EDGE OF INSERT AND LIFT

NOTE: BASE INSERT IS MAGNETICALLY ATTACHED FOR EASY REPLACEMENT