

Pablo®

GLOSS

ASSEMBLY & INSTALLATION INSTRUCTIONS

INFO@PABLODESIGNS.COM
888 MARIN STREET
SAN FRANCISCO, CA
94124

PABLODESIGNS.COM



APPROVED COMPONENTS

Pablo®

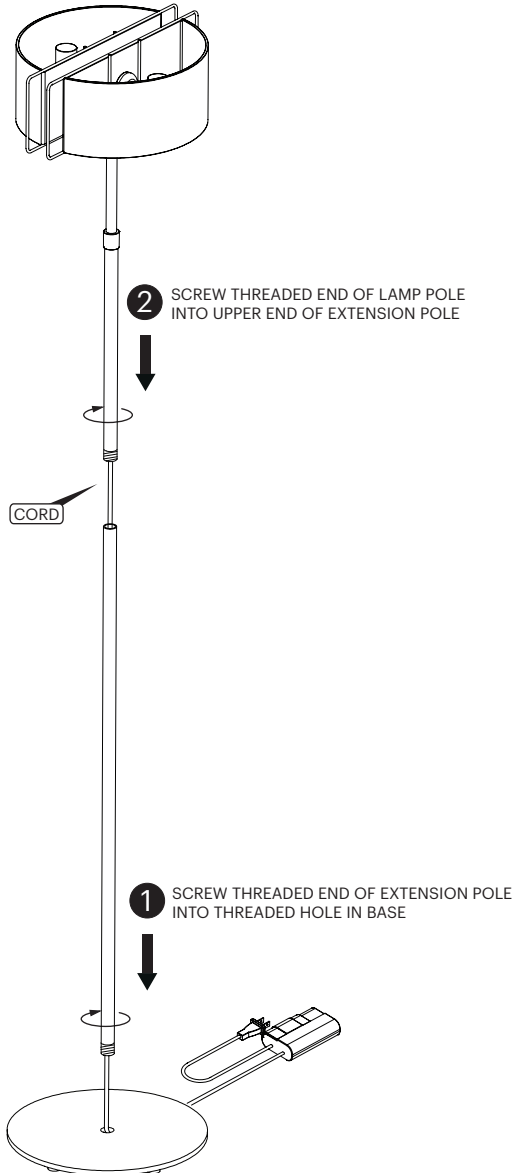
GLOSS

FLOOR ASSEMBLY

BULB TYPE
2X 6.5W LED MR16 GU10

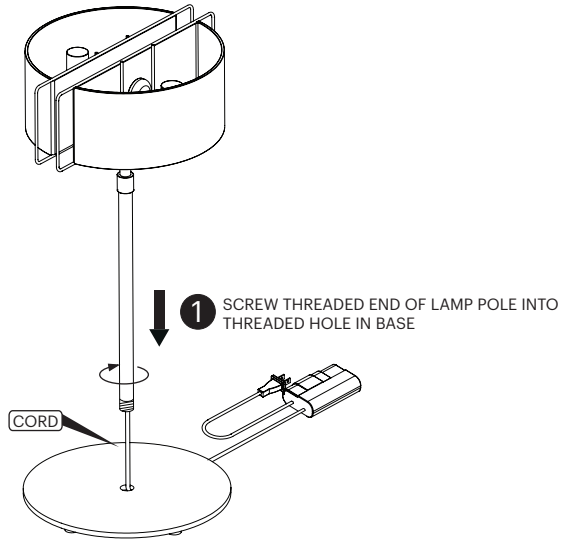


CARE INSTRUCTIONS
WIPE CLEAN WITH A SOFT DAMP CLOTH.
AVOID AMMONIA-BASED CLEANERS.

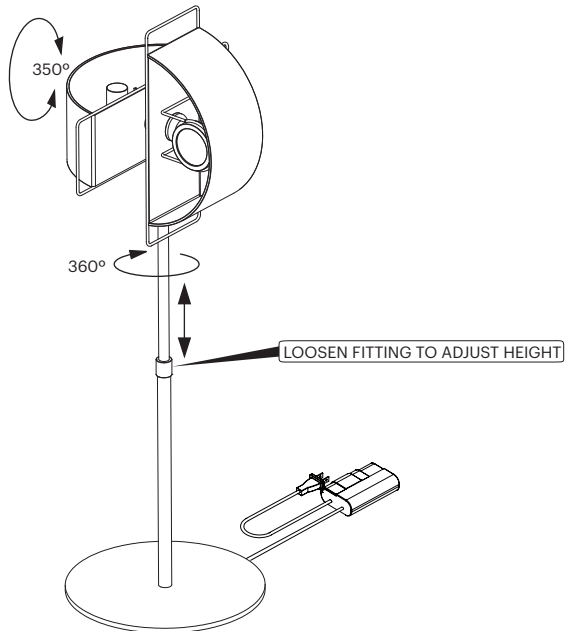


Pablo® GLOSS

TABLE ASSEMBLY



ADJUSTMENT



Pablo®

GLOSS

BULB REPLACEMENT

