

**Pablo®**

# CLAMP

## ASSEMBLY & INSTALLATION INSTRUCTIONS

### TABLE OF CONTENTS

pg. 2-4.....	CLAMP
pg. 5-8.....	CLAMP FLOOR
pg. 9-12.....	CLAMP FS
pg. 13-15.....	CLAMP MINI

---

Pablo®

# CLAMP

## ASSEMBLY & INSTALLATION INSTRUCTIONS

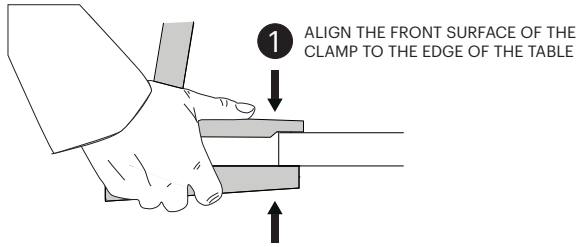
INFO@PABLODESIGNS.COM  
888 MARIN STREET  
SAN FRANCISCO, CA  
94124

PABLODESIGNS.COM

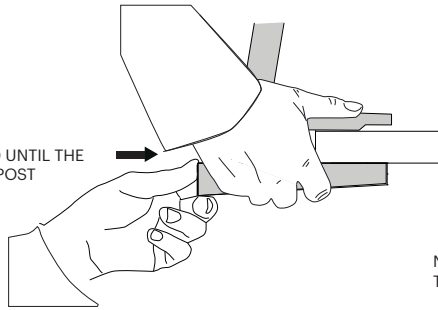


# Pablo® CLAMP

## INSTALLATION

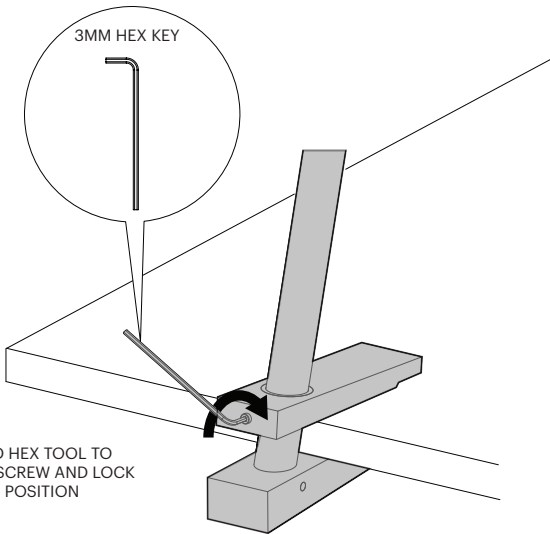


**2** SLIDE CLAMP FORWARD UNTIL THE EDGE OF TABLE MEETS POST



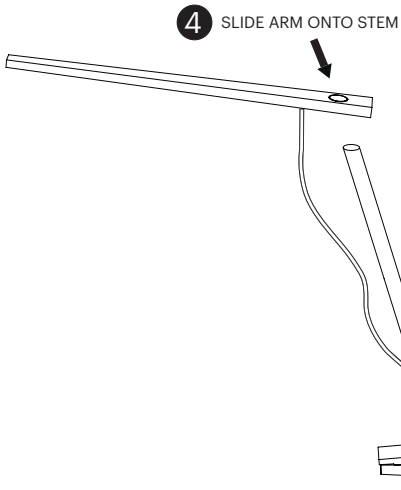
NOTE: CLAMP CAN ONLY BE APPLIED TO SURFACES UP TO 3" THICK

## LOCKING

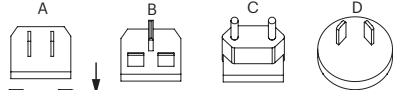


# Pablo® CLAMP

## ASSEMBLY



## PLUG TYPES:



1. SLIDE PLUG INTO POWER SUPPLY
2. ALIGN CONNECTOR/POWER SUPPLY LOCKING FEATURES
3. INSERT CONNECTOR
4. TURN CONNECTOR 90 DEGREES TO LOCK

POWER SUPPLY LOCK

CONNECTOR LOCK

A. N AMERICA

B. UK

C. EU

D. AU

NOTE: CONTACT MANUFACTURER FOR ADDITIONAL PLUG TYPE REQUIREMENTS.

## ADJUSTMENT

- 5** LIFT ARM TO ADJUST HEIGHT AND ROTATE LIGHT SOURCE TO DESIRED POSITION
- 

HI-LOW SWITCH

## CARE INSTRUCTIONS

WIPE CLEAN WITH A SOFT DAMP CLOTH.  
AVOID AMMONIA-BASED CLEANERS.

Pablo®

# CLAMP FLOOR

## ASSEMBLY & INSTALLATION INSTRUCTIONS

INFO@PABLODESIGNS.COM  
888 MARIN STREET  
SAN FRANCISCO, CA  
94124

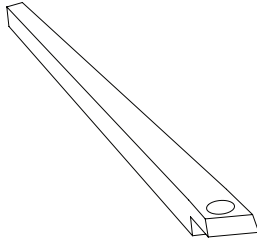
PABLODESIGNS.COM



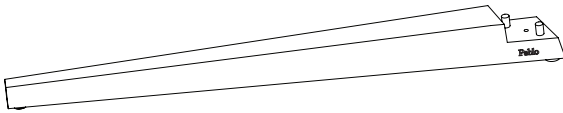
# Pablo®

# CLAMP FLOOR

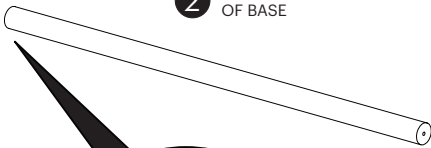
## ASSEMBLY



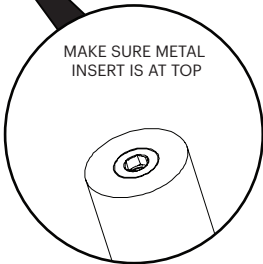
- 1** ASSEMBLE BASE BY JOINING TOP LEG TO BOTTOM LEG AS SHOWN



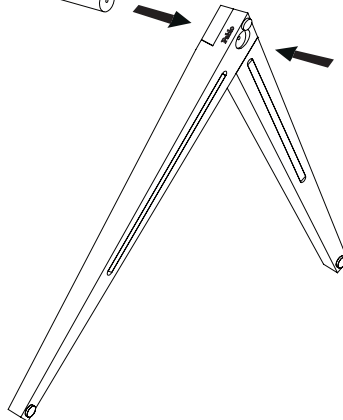
- 2** SLIDE BOTTOM POST INTO HOLE ON TOP OF BASE



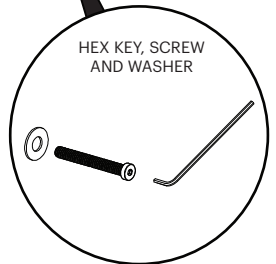
MAKE SURE METAL INSERT IS AT TOP



- 3** USE SUPPLIED HEX KEY TO SECURE BOTTOM POST WITH WASHER AND SCREW PROVIDED. TIGHTEN UNTIL POST IS SECURE BUT CAN STILL ROTATE.



HEX KEY, SCREW AND WASHER

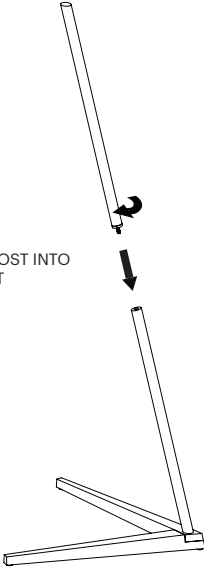


Pablo®

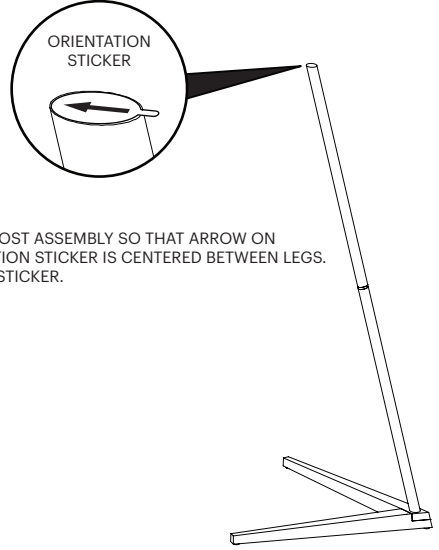
# CLAMP FLOOR

ASSEMBLY

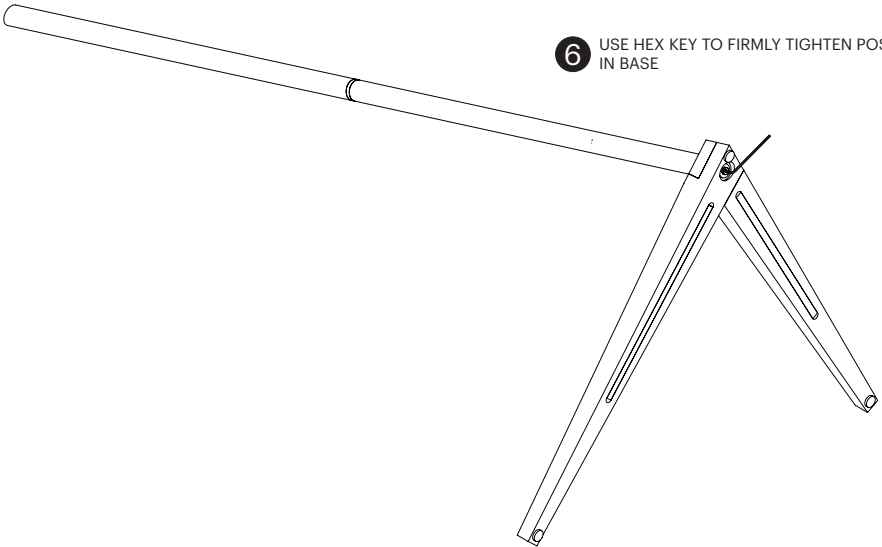
4 SCREW TOP POST INTO  
BOTTOM POST



5 ROTATE POST ASSEMBLY SO THAT ARROW ON  
ORIENTATION STICKER IS CENTERED BETWEEN LEGS.  
REMOVE STICKER.



6 USE HEX KEY TO FIRMLY TIGHTEN POST  
IN BASE

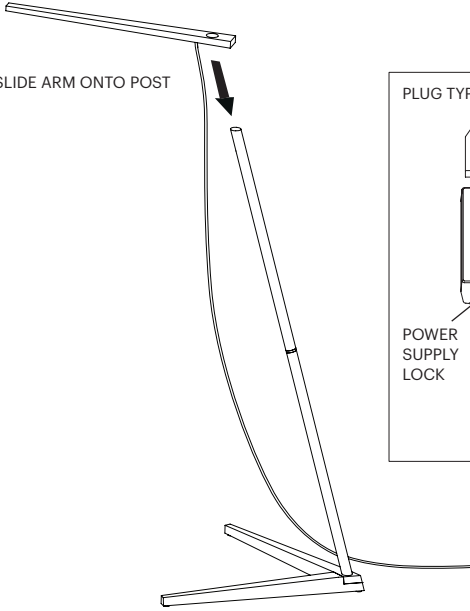


Pablo®

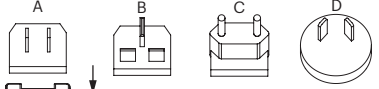
# CLAMP FLOOR

## ASSEMBLY

7 SLIDE ARM ONTO POST



### PLUG TYPES:

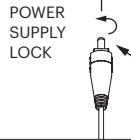


1. SLIDE PLUG INTO POWER SUPPLY

2. ALIGN CONNECTOR/POWER SUPPLY LOCKING FEATURES

3. INSERT CONNECTOR

4. TURN CONNECTOR 90 DEGREES TO LOCK

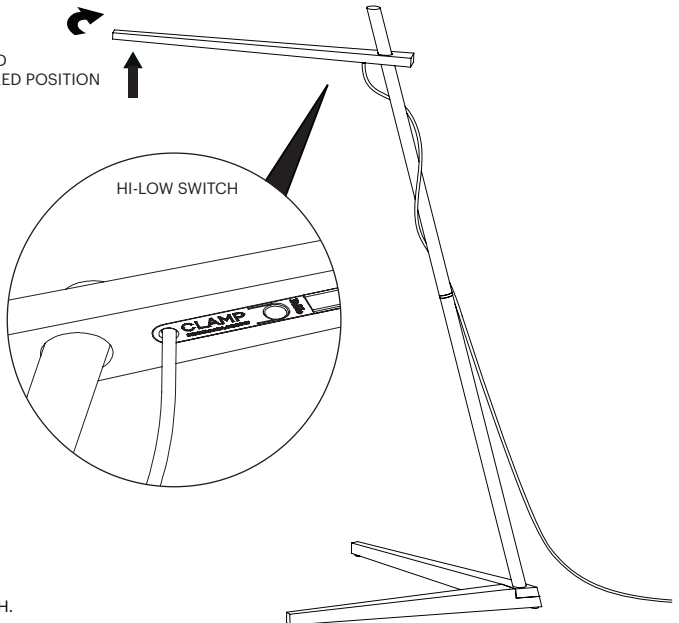


A. N AMERICA B. UK C. EU D. AU

NOTE: CONTACT MANUFACTURER FOR ADDITIONAL PLUG TYPE REQUIREMENTS.

## ADJUSTMENT

8 LIFT ARM TO ADJUST HEIGHT AND ROTATE LIGHT SOURCE TO DESIRED POSITION



## CARE INSTRUCTIONS

WIPE CLEAN WITH A SOFT DAMP CLOTH.  
AVOID AMMONIA-BASED CLEANERS.



Pablo®

# CLAMP FS

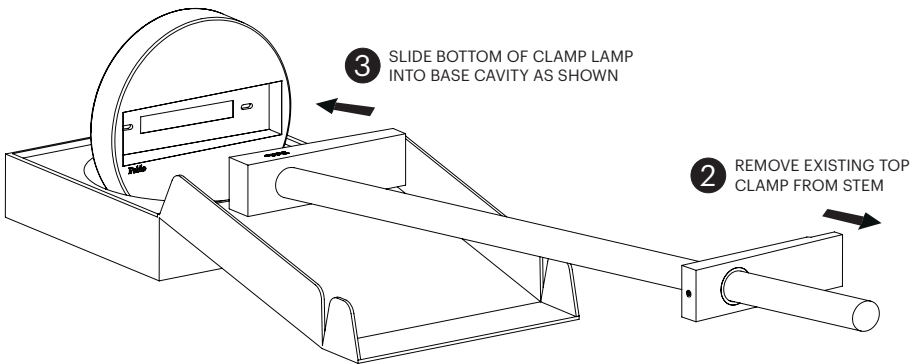
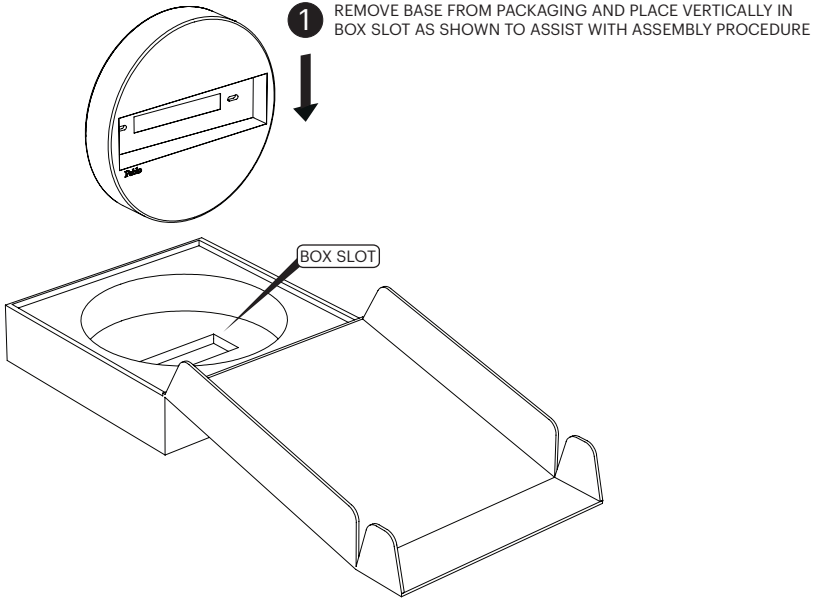
ASSEMBLY & INSTALLATION INSTRUCTIONS



# Pablo®

# CLAMP FS

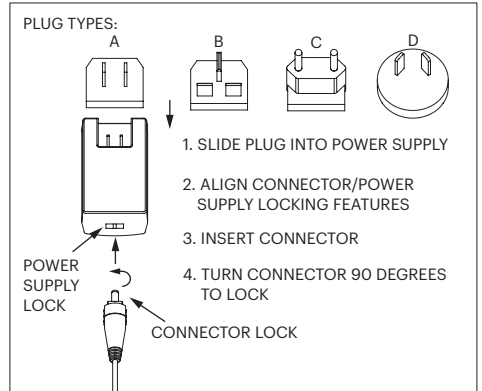
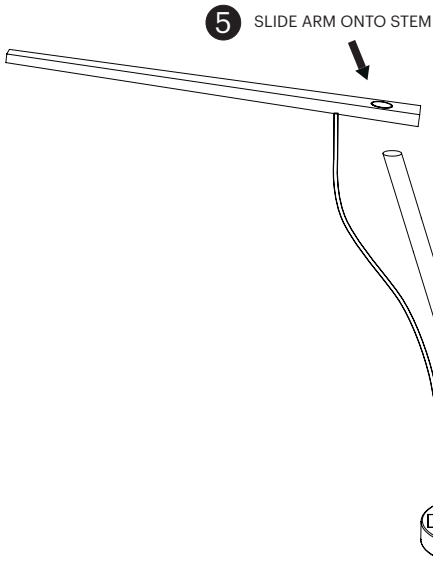
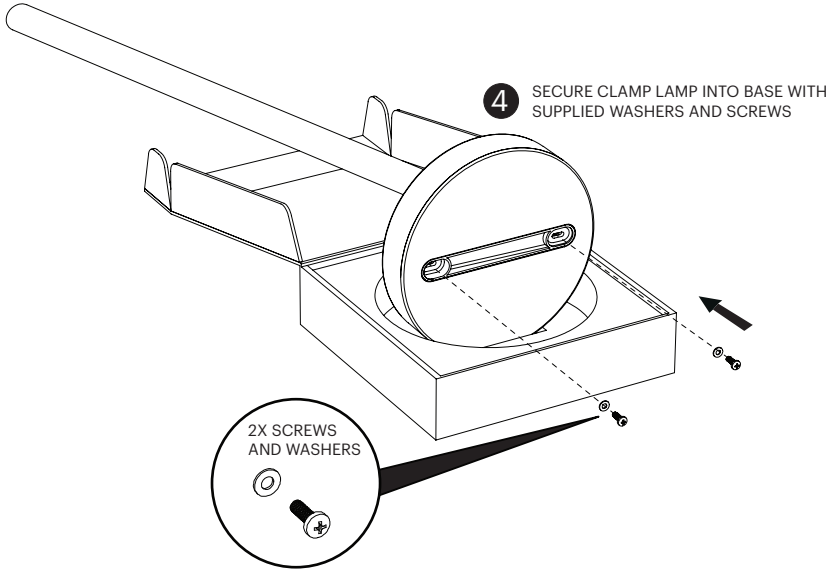
## ASSEMBLY



# Pablo®

## CLAMP FS

### ASSEMBLY



A. N AMERICA B. UK C. EU D. AU

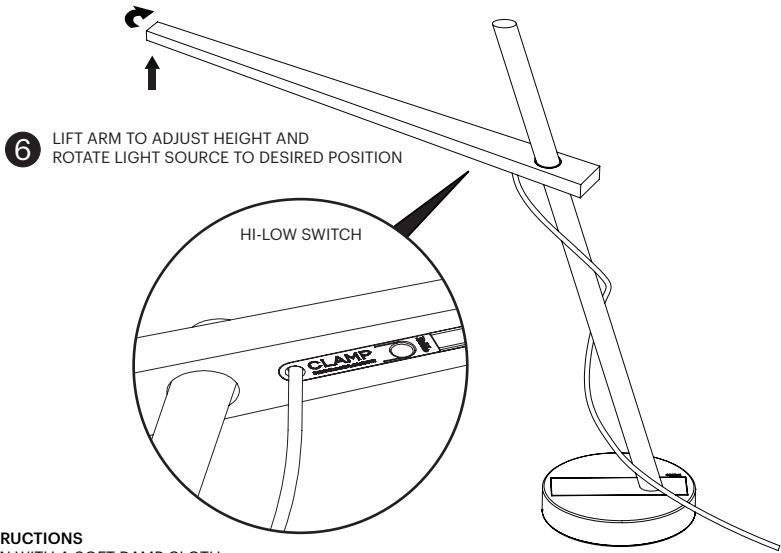
NOTE: CONTACT MANUFACTURER FOR ADDITIONAL PLUG TYPE REQUIREMENTS.

# Pablo®

## CLAMP FS

---

### ADJUSTMENT



### CARE INSTRUCTIONS

WIPE CLEAN WITH A SOFT DAMP CLOTH.  
AVOID AMMONIA-BASED CLEANERS.

---

INFO@PABLODESIGNS.COM  
888 MARIN STREET  
SAN FRANCISCO, CA  
94124

PABLODESIGNS.COM

Pablo®

# CLAMP MINI

## ASSEMBLY & INSTALLATION INSTRUCTIONS

INFO@PABLODESIGNS.COM  
888 MARIN STREET  
SAN FRANCISCO, CA  
94124

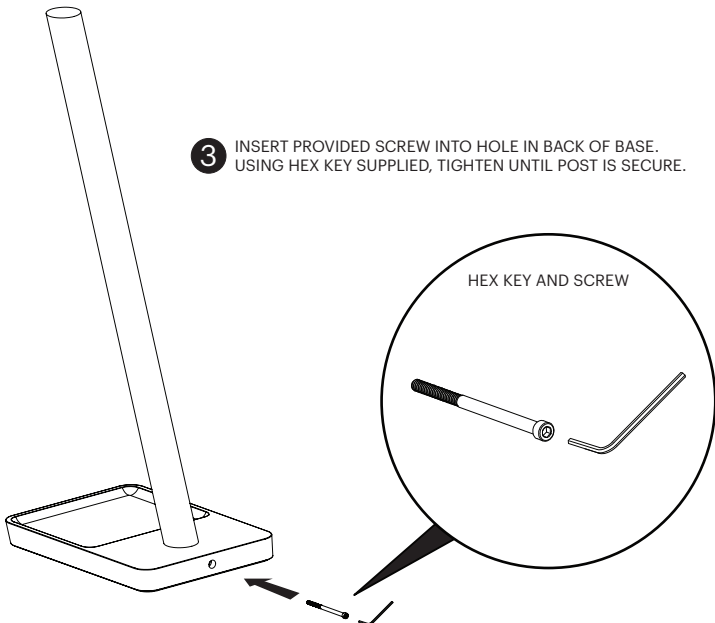
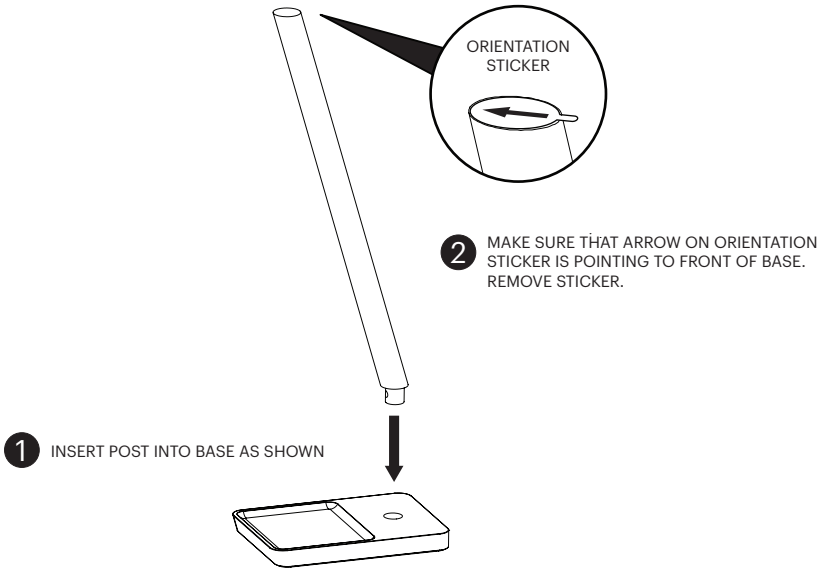
PABLODESIGNS.COM



# Pablo®

## CLAMP MINI

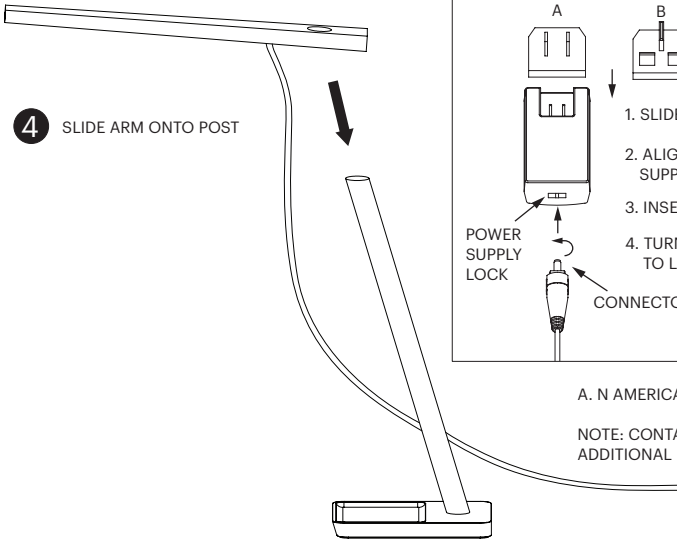
### ASSEMBLY



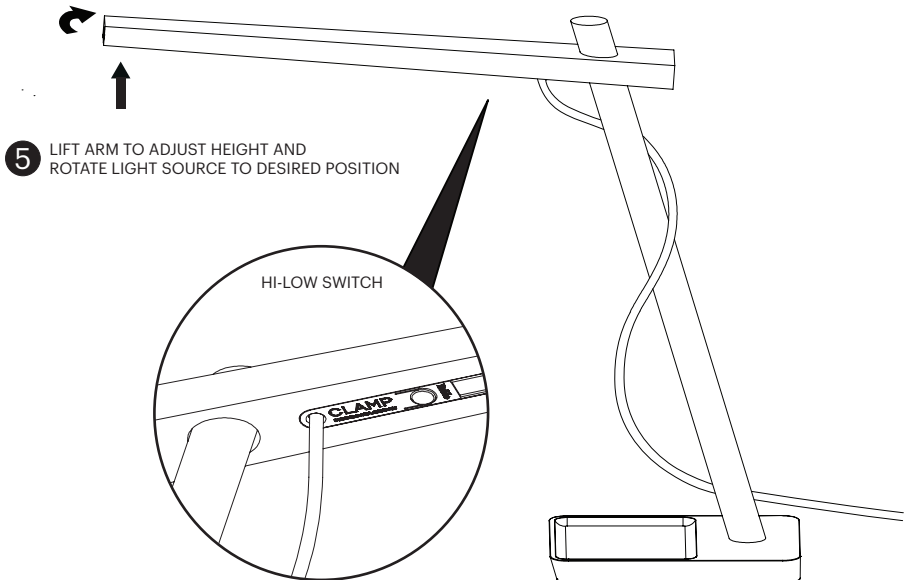
# Pablo®

## CLAMP MINI

### ASSEMBLY



### ADJUSTMENT



### CARE INSTRUCTIONS

WIPE CLEAN WITH A SOFT DAMP CLOTH.  
AVOID AMMONIA-BASED CLEANERS.