

Pablo®
GRID

GRID

DESCRIPTION

Inspired by Japanese joinery tradition, Grid conveys a lightness and weightlessness of form in its orderly structured frame of natural wood or optically clear acrylic. The CNC cut slats provide both optimal diffusion from side viewing angles while celebrating a rich palate of natural woods and rich colorways to direct warm ambient light downward with minimal light spill. Grid can be suspended individually or in series to create uniquely transformative configurations of light and shadow. Available in two complementary sizes: 1x1 18.5" (47cm)W X 18.5" (47cm)L and 1x3: 18.5" (47cm)W X 46.3" (118cm)L, Grid is perfectly suited for illuminating dining, work spaces or corridors with 1200 lumens and 3600 lumens depending on size. Limitless arrangements can be configured.

DESIGNER

Pablo Pardo + Pablo Studio 2018

MATERIALS

- Wood or Acrylic Body
- Steel Canopy

FEATURES

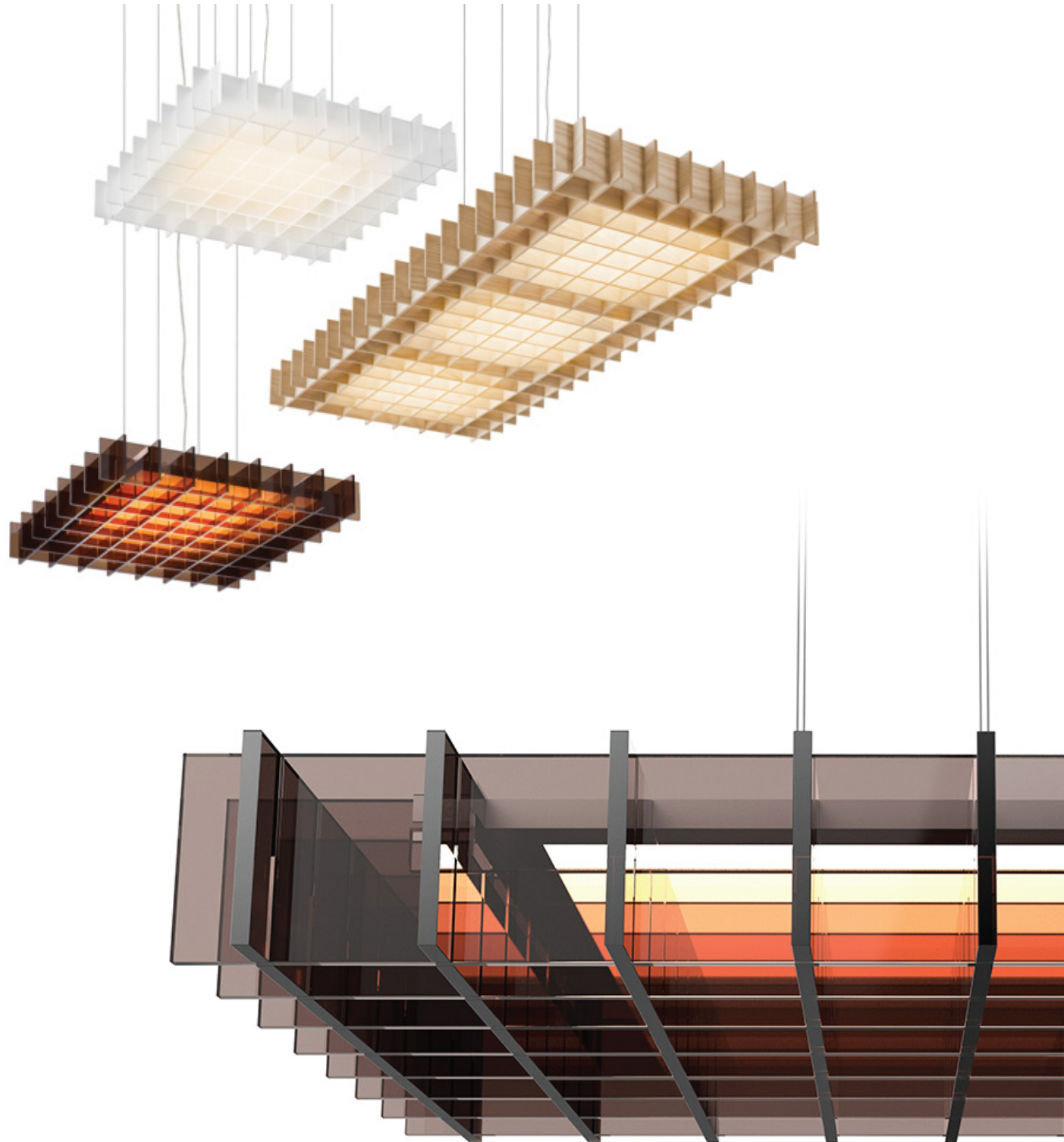
- Energy efficient flat panel technology
- Fully dimmable
- Glare-free illumination

SPECIFICATIONS

- Voltage: 120-277V 50/60Hz
- Power Consumption: 20W (1X1), 60W (1X3)
- Color Temperature: 2700K
- Luminosity: 1200 lm (1X1), 3600 lm (1X3)
- Luminaire efficacy: 91 Lumens/Watt
- Color Rendition Index: 83 CRI
- 50K hour lifespan
- Cable Length: 10' (3m) (Field cuttable)

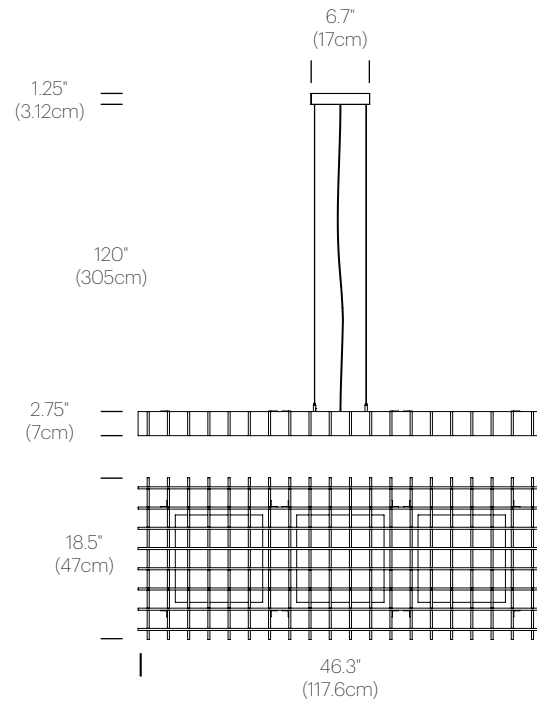
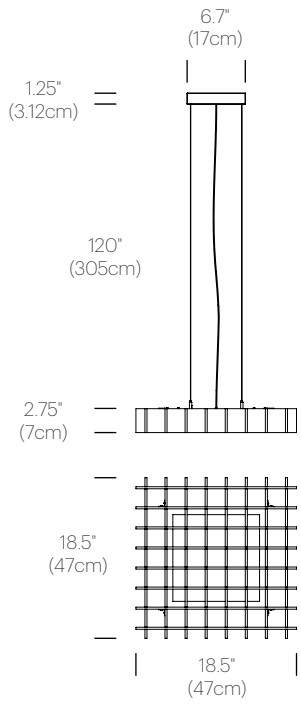
MODELS

- Grid (1X1)
- Grid (1X3)



DIMENSIONS

GRID



FINISH OPTIONS

GRID

WOOD



Ash

ACRYLIC



Frosted



Bronze

Pablo®

888 MARIN STREET SAN FRANCISCO, CA 94124
PABLODESIGNS.COM