

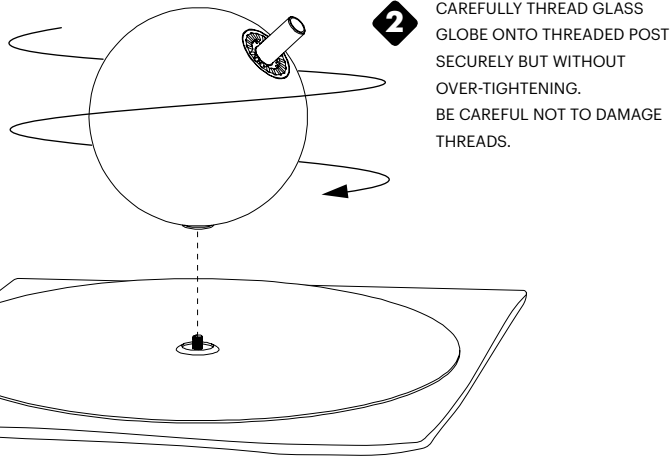
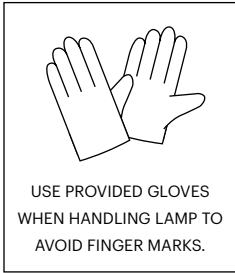
Pablo®

BOLA TABLE

ASSEMBLY & INSTALLATION INSTRUCTIONS

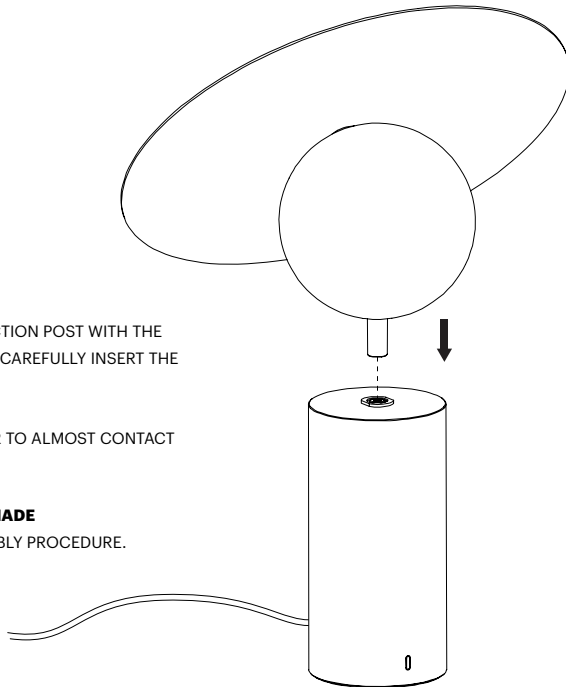


Pablo® BOLA TABLE



2 CAREFULLY THREAD GLASS GLOBE ONTO THREADED POST SECURELY BUT WITHOUT OVER-TIGHTENING. BE CAREFUL NOT TO DAMAGE THREADS.

1 LAY THE DISC SHADE FLAT ON TOP OF PROTECTIVE SLEEVE WITH THREADED POST FACING UPWARDS.



3 ALIGN GLOBE'S CONNECTION POST WITH THE TOP OF THE BASE, THEN CAREFULLY INSERT THE POST INTO THE BASE.

THE GLOBE WILL APPEAR TO ALMOST CONTACT THE TOP OF THE BASE.

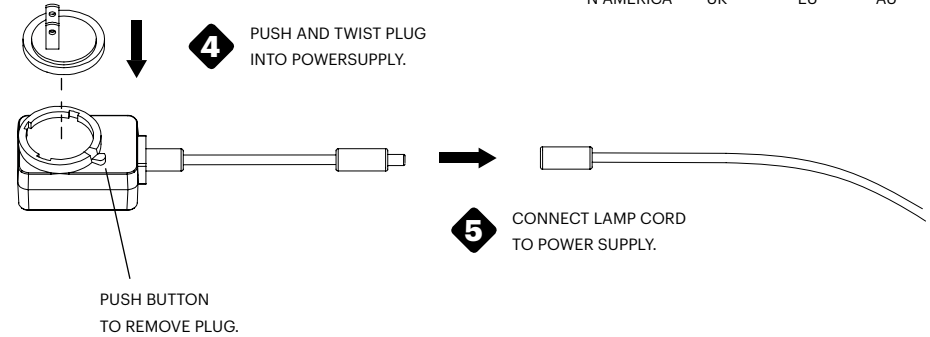
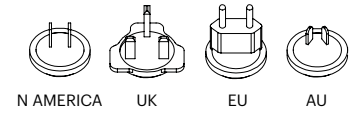
REMOVING GLOBE & SHADE

SIMPLY REVERSE ASSEMBLY PROCEDURE.

Pablo® BOLA TABLE

POWER SUPPLY

PLUG TYPES AVAILABLE:



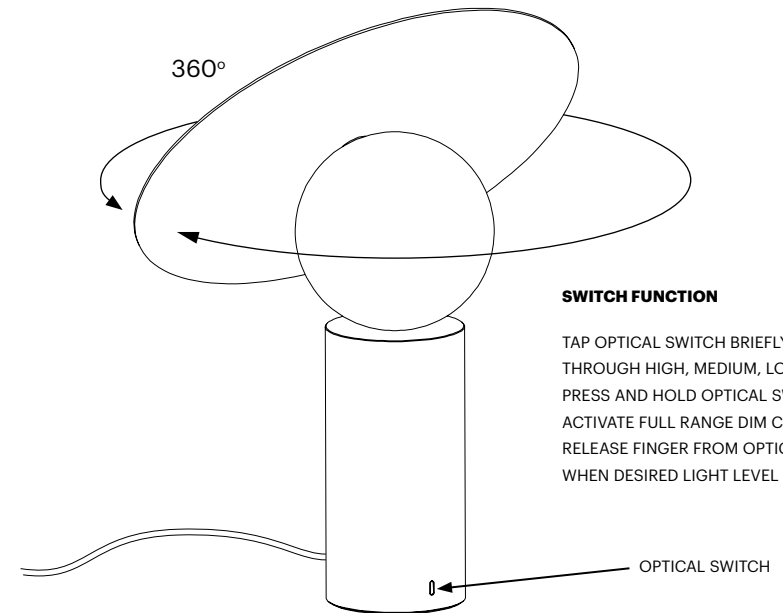
4 PUSH AND TWIST PLUG INTO POWERSUPPLY.

5 CONNECT LAMP CORD TO POWER SUPPLY.

USE ONLY PABLO POWER SUPPLY PROVIDED.

LENGTH OF CORD SUPPLIED: 8FT (244 CM).

OPTICAL SWITCH & DIMMING



SWITCH FUNCTION

TAP OPTICAL SWITCH BRIEFLY TO CYCLE THROUGH HIGH, MEDIUM, LOW AND OFF. PRESS AND HOLD OPTICAL SWITCH TO ACTIVATE FULL RANGE DIM CONTROL. RELEASE FINGER FROM OPTICAL SWITCH WHEN DESIRED LIGHT LEVEL IS REACHED.

CARE INSTRUCTIONS

WIPE CLEAN WITH A SOFT DAMP CLOTH. AVOID AMMONIA BASED CLEANERS.

Pablo[®]

INFO@PABLODESIGNS.COM
INFO@PABLODESIGNS.EU

888 MARIN STREET
SAN FRANCISCO, CA
94124

PABLODESIGNS.COM
PABLODESIGNS.EU