

**Pablo®**

UMA

**SETUP GUIDE & OWNERS MANUAL**

PABLO DESIGNS  
888 MARIN STREET  
SAN FRANCISCO, CA  
94124

PABLODESIGNS.COM  
UMA SUPPORT: 888-355-0636  
UMASUPPORT@PABLODESIGNS.COM



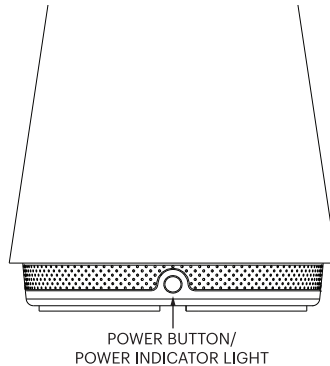
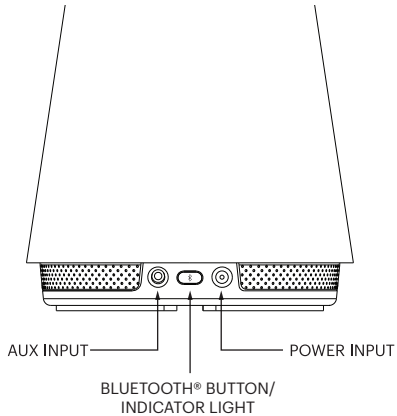
# Pablo®

# UMA

## UMA INDICATOR OVERVIEW

INDICATOR LIGHT FUNCTIONS:

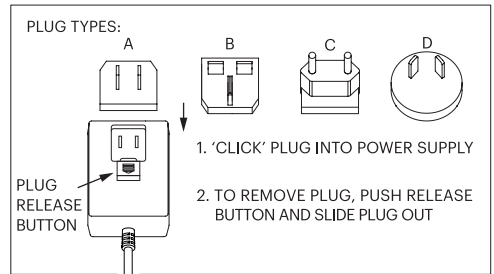
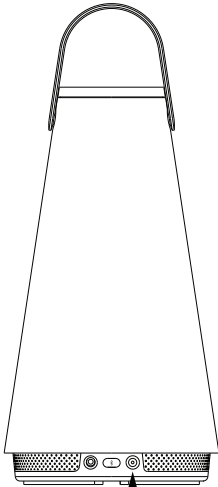
	ILLUMINATED WHITE	RUNNING ON BATTERY POWER
	BREATHING WHITE	PLUGGED IN AND CHARGING
	ILLUMINATED GREEN	PLUGGED IN, FULLY CHARGED
	BREATHING RED	LESS THAN 15% BATTERY REMAINING
BLUETOOTH® INDICATOR LIGHT	ILLUMINATED BLUE	WAITING FOR CONNECTION
	BREATHING BLUE	PAIRING MODE ACTIVATED
	NOT ILLUMINATED	ACTIVE CONNECTION



# Pablo® UMA

## CHARGING UMA

UMA USES AN INTERNAL RECHARGEABLE LITHIUM POLYMER BATTERY THAT WILL LAST THE LIFETIME OF THE DEVICE. FULLY CHARGE UMA'S BATTERY PRIOR TO FIRST USE. TO CHARGE THE BATTERY, CONNECT UMA TO THE INCLUDED POWER SUPPLY AND KEEP IT CONNECTED TO THE POWER SOURCE UNTIL POWER INDICATOR LIGHT TURNS GREEN. IT MAY TAKE UP TO 2.5 HOURS TO FULLY CHARGE UMA.



A. N AMERICA    B. UK    C. EU    D. AU

NOTE: CONTACT MANUFACTURER FOR  
ADDITIONAL PLUG TYPE REQUIREMENTS.

# Pablo®

# UMA

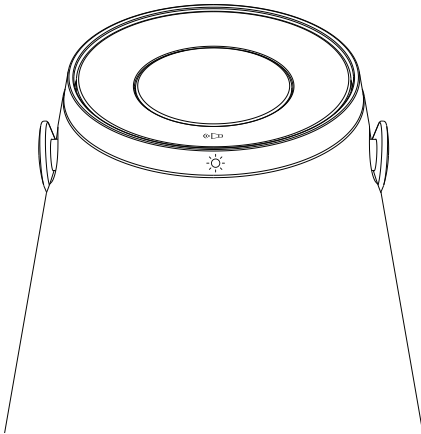
## UMA LIGHT FUNCTION

PRESS POWER SWITCH BRIEFLY TO TURN UMA ON. POWER INDICATOR LIGHT WILL ILLUMINATE. TURN LIGHT CONTROL RING CLOCKWISE PAST "CLICK" TO TURN ON LIGHT. ROTATE LIGHT CONTROL RING TO ACTIVATE FULL RANGE DIM CONTROL.

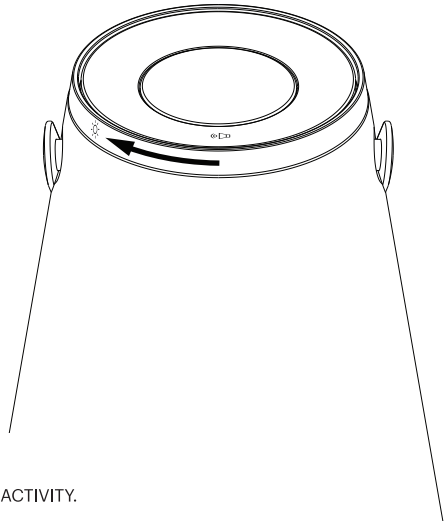
## CONTROLS

- ROTATE CLOCKWISE TO INCREASE LIGHT
- ROTATE COUNTER CLOCKWISE TO DECREASE LIGHT
- PHYSICAL 'CLICK' REGISTRATION INDICATES LIGHT IS OFF

OFF POSITION



FULL BRIGHTNESS



## NOTE:

UMA WILL TURN OFF AUTOMATICALLY AFTER 15 MINUTES OF INACTIVITY.  
(INACTIVITY = LIGHT IS OFF & NO SOUND IS PLAYING)

# Pablo®

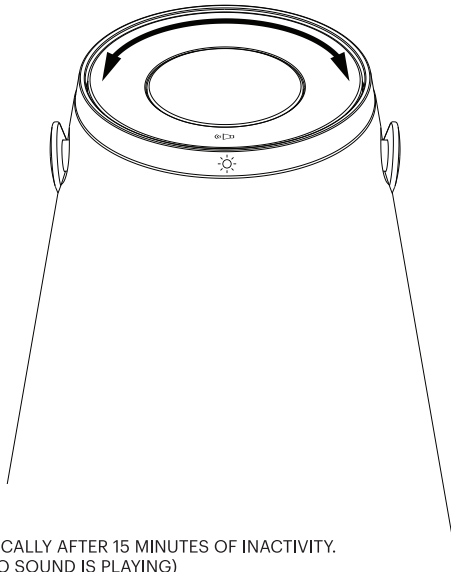
# UMA

## UMA VOLUME FUNCTION

VOLUME IS CONTROLLED THROUGH A TOUCH CAPACITIVE PAD ON THE TOP OF UMA. USING YOUR FINGER, SLIDE CLOCKWISE TO TURN VOLUME UP, SLIDE ANTI CLOCKWISE TO TURN VOLUME DOWN.

## CONTROLS

- TOUCH INTERFACE
- REQUIRES 360 DEGREES OF TOUCH ROTATION TO TRAVEL FROM 0%-100% VOLUME
- SLIDE FINGER CLOCKWISE TO INCREASE VOLUME
- SLIDE FINGER COUNTER CLOCKWISE TO DECREASE VOLUME
- VOLUME IS CONTROLLED BY DIRECTION AND DISTANCE OF SLIDE REGARDLESS OF POSITION



## NOTE:

UMA WILL TURN OFF AUTOMATICALLY AFTER 15 MINUTES OF INACTIVITY.  
(INACTIVITY = LIGHT IS OFF & NO SOUND IS PLAYING)

# Pablo®

# UMA

---

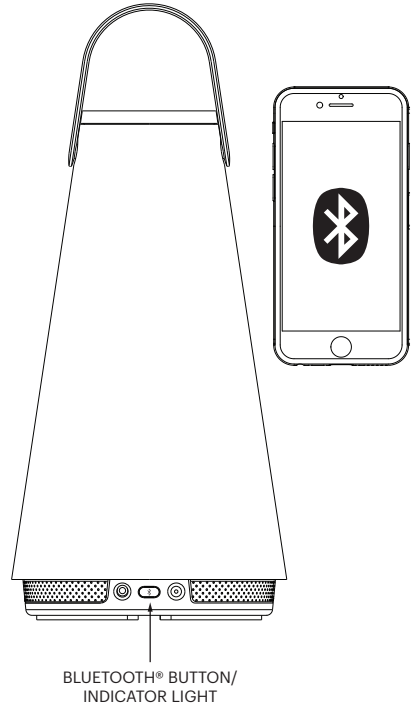
## CONNECTING UMA TO A BLUETOOTH® WIRELESS TECHNOLOGY ENABLED DEVICE

### PAIRING:

WHEN CONNECTING A BLUETOOTH® DEVICE TO UMA FOR THE FIRST TIME, THE DEVICE MUST BE REGISTERED TO UMA. THIS IS CALLED PAIRING. ONCE PAIRING IS COMPLETED, UMA WILL REMEMBER YOUR DEVICE AND CONNECT AUTOMATICALLY. UMA CAN REMEMBER UP TO 8 DEVICES. TO PAIR YOUR DEVICE WITH UMA, FOLLOW THESE STEPS:

1. PRESS POWER SWITCH BRIEFLY TO TURN UMA ON. POWER INDICATOR LIGHT WILL ILLUMINATE.
2. PRESS AND HOLD THE BLUETOOTH® PAIRING BUTTON ON UMA FOR ONE SECOND TO PUT UMA INTO PAIRING MODE, INDICATED BY A BREATHING BLUE LIGHT. UMA WILL REMAIN IN PAIRING MODE UNTIL A CONNECTION IS MADE, OR FOR UP TO ONE MINUTE.
3. TURN ON THE BLUETOOTH® FUNCTION ON YOUR DEVICE.
4. IN THE BLUETOOTH® SETTINGS OF THE DEVICE, SELECT "UMA SOUND LANTERN" FROM THE LIST OF AVAILABLE CONNECTIONS.
5. BLUETOOTH® INDICATOR LIGHT ON UMA WILL CHANGE TO SOLID BLUE WHEN THE CONNECTION IS SUCCESSFUL. AFTER 10 SECONDS OF CONNECTION, INDICATOR LIGHT WILL TURN OFF.
6. PLAY MUSIC ON YOUR DEVICE. ENSURE VOLUME ON YOUR DEVICE IS NOT SET TO MUTE.
7. AFTER YOUR DEVICE HAS PAIRED WITH UMA, IT WILL CONNECT AUTOMATICALLY. IF IT DOES NOT CONNECT AUTOMATICALLY, REPEAT THE PAIRING PROCESS TO REGISTER YOUR DEVICE.

**IF YOU HAVE DIFFICULTY CONNECTING TO UMA, PLEASE REFER TO THE TROUBLESHOOTING GUIDE IN THIS INSTRUCTION MANUAL.**



# Pablo®

# UMA

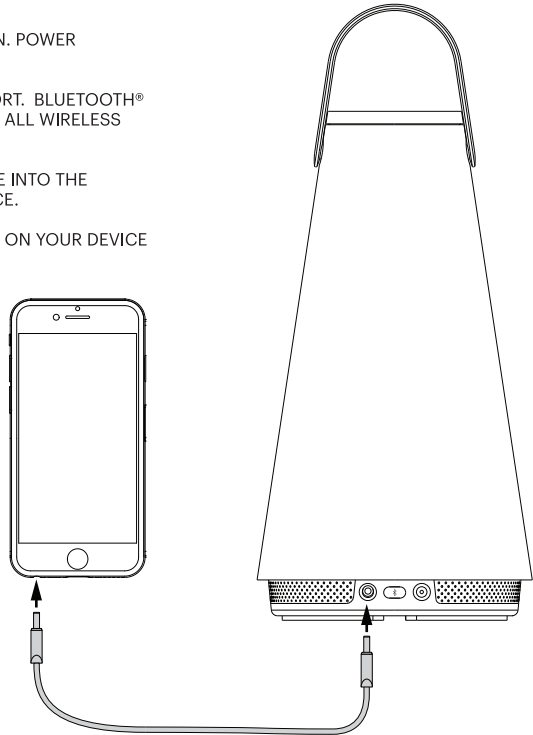
---

## CONNECTING UMA TO A DEVICE VIA AUXILLIARY CABLE

UMA CAN PLAY MUSIC FROM AN AUDIO DEVICE BY CONNECTING AN AUX-IN CABLE. TO CONNECT YOUR DEVICE TO UMA WITH AUXILLIARY CABLE, FOLLOW THESE STEPS:

1. PRESS POWER SWITCH BRIEFLY TO TURN UMA ON. POWER INDICATOR LIGHT WILL ILLUMINATE.
2. PLUG AUXILLIARY CABLE INTO UMA AUDIO-IN PORT. BLUETOOTH® WIRELESS TECHNOLOGY WILL BE DISABLED AND ALL WIRELESS CONNECTIONS WILL BE DISCONNECTED.
3. PLUG THE OTHER END OF THE AUXILLIARY CABLE INTO THE AUDIO-OUT (HEADPHONE) PORT ON YOUR DEVICE.
4. PLAY MUSIC ON YOUR DEVICE. ENSURE VOLUME ON YOUR DEVICE IS NOT MUTED.

NOTE: AUXILLIARY CABLE IS NON-DIRECTIONAL.

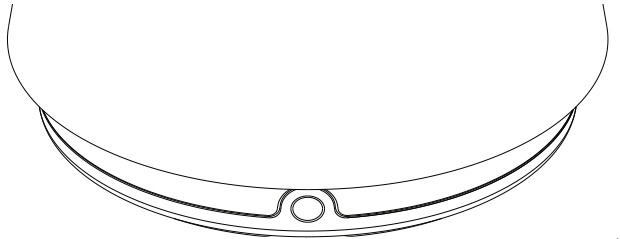


# Pablo® UMA

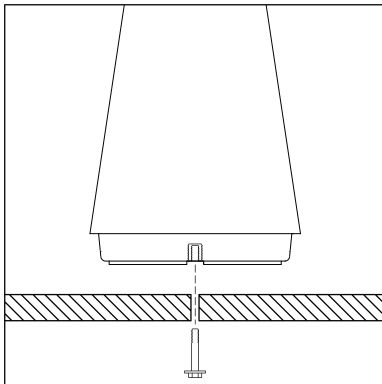
## **SURFACE MOUNT OPTION**

UMA CAN BE BOLTED TO A SURFACE USING A STANDARD M6 X 1MM MACHINE SCREW (NOT PROVIDED).

SCREW LENGTH IS DETERMINED BY ADDING THE TABLE THICKNESS TO THE 10MM INSERT LENGTH.



DRILL A 5/16TH INCH (8 MM) HOLE THROUGH SURFACE OF TABLE



M6 X 1MM MACHINE SCREW, NOT PROVIDED

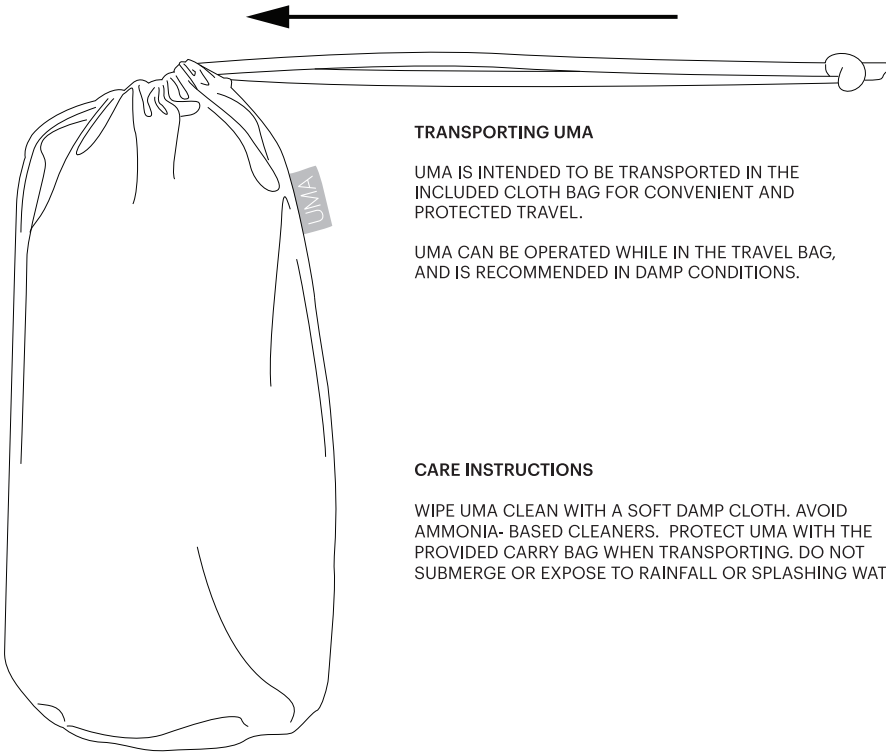




# Pablo®

# UMA

---



## **TRANSPORTING UMA**

UMA IS INTENDED TO BE TRANSPORTED IN THE INCLUDED CLOTH BAG FOR CONVENIENT AND PROTECTED TRAVEL.

UMA CAN BE OPERATED WHILE IN THE TRAVEL BAG, AND IS RECOMMENDED IN DAMP CONDITIONS.

## **CARE INSTRUCTIONS**

WIPE UMA CLEAN WITH A SOFT DAMP CLOTH. AVOID AMMONIA- BASED CLEANERS. PROTECT UMA WITH THE PROVIDED CARRY BAG WHEN TRANSPORTING. DO NOT SUBMERGE OR EXPOSE TO RAINFALL OR SPLASHING WATER.

# Pablo®

# UMA

## BLUETOOTH® WIRELESS TECHNOLOGY CONNECTION TROUBLESHOOTING GUIDE

IF YOU HAVE DIFFICULTY CONNECTING YOUR DEVICE TO UMA, FOLLOW THIS GUIDE

PROBLEM	CAUSE	SOLUTION
UMA CANNOT MAKE A CONNECTION	UMA IS TURNED OFF	PRESS POWER SWITCH BRIEFLY TO TURN UMA ON. POWER INDICATOR LIGHT WILL ILLUMINATE
	BLUETOOTH® FUNCTION IS TURNED OFF	PRESS THE BLUETOOTH® BUTTON TO ENABLE BLUETOOTH® FUNCTION
	UMA HAS NOT YET BEEN PAIRED WITH THE BLUETOOTH® DEVICE	PERFORM PAIRING PROCESS
	UMA IS TOO FAR FROM THE BLUETOOTH® DEVICE	MOVE THE AUDIO SOURCE CLOSER. MAXIMUM DISTANCE FROM DEVICE IS 30M UNOBSTRUCTED
	AN AUX-IN CABLE IS CONNECTED	DISCONNECT AUX-IN CABLE
	ANOTHER BLUETOOTH® DEVICE IS CONNECTED	DISCONNECT OR POWER OFF THE OTHER BLUETOOTH® DEVICE
	THE PAIRING INFORMATION HAS BEEN DELETED. UMA CAN REMEMBER UP TO 8 DEVICE PAIRINGS. IF A 9TH DEVICE IS PAIRED, UMA WILL FORGET THE FIRST DEVICE	PERFORM PAIRING PROCESS AGAIN
	UMA IS NOT REGISTERED ON THE DEVICE'S BLUETOOTH® CONNECTION LIST	PERFORM PAIRING PROCESS AGAIN
	THERE IS A DEVICE (MICROWAVE, WIRELESS LAN, ETC.) THAT OUTPUTS SIGNALS IN THE 2.4 GHz FREQUENCY BAND NEARBY	MOVE UMA AWAY FROM ANY DEVICE THAT EMITS RF SIGNALS OR INTERFERENCE

IF ALL TROUBLESHOOTING STEPS DON'T WORK, HOLD BLUETOOTH® BUTTON FOR 6 SECONDS TO PERFORM FACTORY RESET.

# Pablo®

# UMA

## LIGHT AND AUDIO FUNCTION TROUBLESHOOTING GUIDE

IF YOU HAVE DIFFICULTY PROPERLY OPERATING UMA, FOLLOW THIS GUIDE

PROBLEM	CAUSE	SOLUTION
BLUETOOTH® AUDIO CONNECTION IS DISTORTED OR DROPPING OUT	THE SOURCE DEVICE IS TOO FAR AWAY FROM UMA	MOVE THE AUDIO SOURCE CLOSER. MAXIMUM DISTANCE FROM DEVICE IS 10M
	THERE IS A DEVICE (MICROWAVE, WIRELESS LAN, ETC.) THAT OUTPUTS SIGNALS IN THE 2.4 GHz FREQUENCY BAND NEARBY	MOVE UMA AWAY FROM ANY DEVICE THAT EMITS RF SIGNALS OR INTERFERENCE
	THE VOLUME ON EITHER THE AUDIO SOURCE OR UMA IS TOO LOW	ADJUST THE VOLUME ON BOTH UMA AND THE AUDIO SOURCE
	POOR CONNECTION BETWEEN UMA AND THE SOURCE DEVICE	RESTART BOTH THE AUDIO SOURCE AND UMA
	BLUETOOTH® PAIRING FAILED	RE-PAIR YOUR DEVICE WITH UMA
3.5MM AUXILLIARY AUDIO CONNECTION IS DISTORTED OR DROPPING OUT	3.5MM AUXILLIARY CABLE IS NOT FULLY CONNECTED TO EITHER UMA OR THE SOURCE DEVICE	CHECK THAT THE 3.5MM AUXILLIARY CABLE IS SECURELY CONNECTED TO BOTH UMA AND THE SOURCE DEVICE
	SOURCE DEVICE ISN'T WORKING PROPERLY	TRY A DIFFERENT SOURCE DEVICE TO ENSURE THE ISSUE ISN'T THE SOURCE DEVICE
	3.5MM AUXILLIARY CABLE IS FAULTY OR DAMAGED	TRY A DIFFERENT 3.5MM AUXILLIARY CABLE
STREAMED AUDIO CONTENT IS DISTORTED OR DROPPING OUT	INTERNET CONNECTIVITY ISSUES	FOLLOW YOUR ROUTER/ISP INSTRUCTIONS TO ENSURE YOUR INTERNET CONNECTION IS FUNCTIONING PROPERLY
UMA POWER IS ON, LANTERN DOES NOT ILLUMINATE	DIMMER CONTROL RING IS TURNED OFF	ENSURE DIMMER CONTROL RING IS TURNED CLOCKWISE PAST THE 'CLICK' TO ILLUMINATE
AUTO SHUT-OFF IS NOT WORKING	LIGHT IS STILL ON OR SOUND IS STILL PLAYING	MUST TURN OFF LIGHT AND SOUND SOURCE FOR AUTO SHUT-OFF TO FUNCTION

IF PROBLEMS PERSIST, PLEASE CONTACT UMA SUPPORT: 888-355-0636 / UMASUPPORT@PABLODESIGNS.COM

# Pablo®

# UMA

---

## **MORE INFO**

FOR MORE INFORMATION AND PRODUCT DETAILS VISIT [WWW.PABLODESIGNS.COM](http://WWW.PABLODESIGNS.COM)

## **SPECIFICATIONS**

LIGHT OUTPUT:	180 LUMENS MAX
BATTERY RUNTIME:	5 TO 8 HOURS DEPENDING ON USE
CHARGE TIME:	UP TO 2.5 HOURS
POWER ADAPTER INPUT:	100-240V ~ 50/60Hz 1.3A MAX
POWER CONSUMPTION:	6.5W (LIGHT) 12W MAX (SPEAKERS)
SPEAKER WATTAGE:	12W MAX 1.5W TYPICAL
BLUETOOTH® VERSION:	5.0
BLUETOOTH® RANGE:	10M
DIMENSIONS:	11" x 6" x 6" (28cm x 15.4cm x 15.4cm)
WEIGHT:	2.85lbs (1.3kgs)

U.S. PATENT D773,704

MADE IN CHINA

## **WARRANTY**

FOR WARRANTY AND ADDITIONAL TROUBLESHOOTING INFORMATION VISIT

[WWW.PABLODESIGNS.COM/PRODUCT/UMA](http://WWW.PABLODESIGNS.COM/PRODUCT/UMA)

## **FOLLOW US**

FOLLOW US ON FACEBOOK AND INSTAGRAM

[WWW.FACEBOOK.COM/PABLODESIGNSSF](http://WWW.FACEBOOK.COM/PABLODESIGNSSF)  
[@PABLODESIGNSSF](https://www.instagram.com/pablodesignssf)