

Pablo®

BOLA

FELT

120/240V ASSEMBLY & INSTALLATION INSTRUCTIONS

TABLE OF CONTENTS

pg. 2 - 4 BOLA FELT PENDANT
pg. 5 - 16 BOLA FELT MULTILIGHT

Pablo®

BOLA

FELT PENDANT

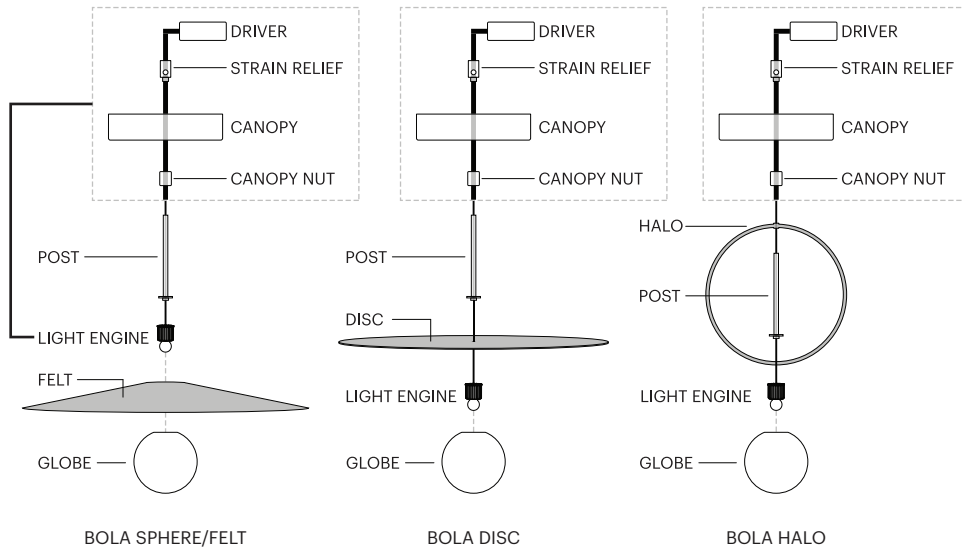
120/240V ASSEMBLY & INSTALLATION INSTRUCTIONS

INFO@PABLODESIGNS.COM
888 MARIN STREET
SAN FRANCISCO, CA
94124

PABLODESIGNS.COM



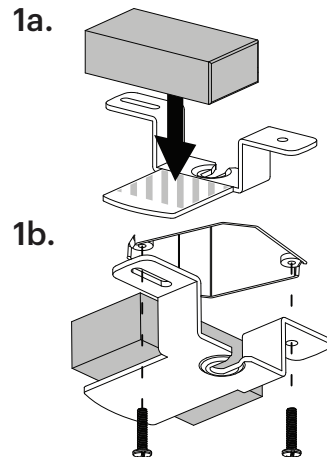
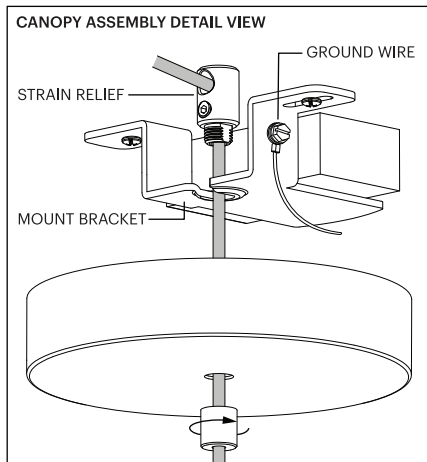
CORD PATH DIAGRAM



1. **a** SECURE DRIVER TO MOUNT BRACKET WITH PROVIDED TAPE. **b** SECURE MOUNT BRACKET TO JUNCTION BOX OR CEILING USING APPROPRIATE ANCHOR METHODS.

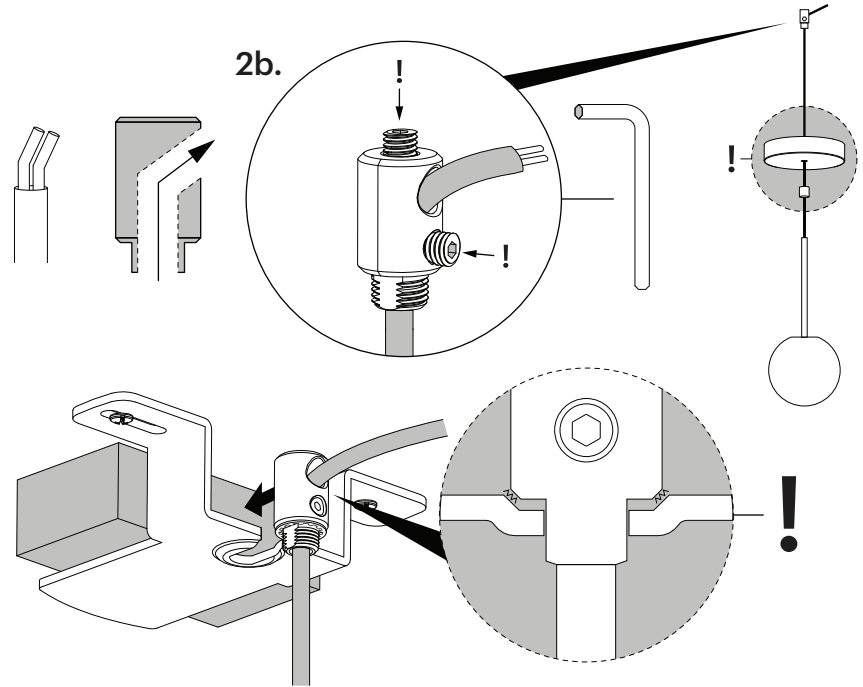
IMPORTANT! BE SURE TO REFERENCE CORD PATH DIAGRAM BEFORE MOVING ON.

- BE SURE TO WEAVE CORD THROUGH ALL NECESSARY PARTS LISTED ABOVE BASED ON LAMP MODEL.
 - a** BEND WIRE ENDS BEFORE PASSING THROUGH STRAIN RELIEF. **b** PASS CORD THROUGH STRAIN RELIEF AND SET LAMP HEIGHT BY FASTENING BOTH (TOP AND SIDE) SET SCREWS. (IF NECESSARY: TRIM EXCESS CORD)
- PLACE FASTENED STRAIN RELIEF ONTO MOUNTING BRACKET. (**NOTE! STRAIN RELIEF SHOULD NEST INTO RECESS IN BRACKET SURFACE**)
- WIRE DRIVER TO BUILDING (US : BLACK TO BLACK/WHITE TO WHITE) (EU: BLACK TO BROWN/WHITE TO BLUE) **NOTE: PURPLE AND GREY WIRES ARE USED ONLY IN 0-10V INSTALLATIONS.**
- WIRE DRIVER TO LAMP (RED TO RED/BLUE TO BLACK)
- SECURE CANOPY COVER TO BRACKET ASSEMBLY WITH CANOPY NUT. TIGHTEN UNTIL FIRMLY IN PLACE.

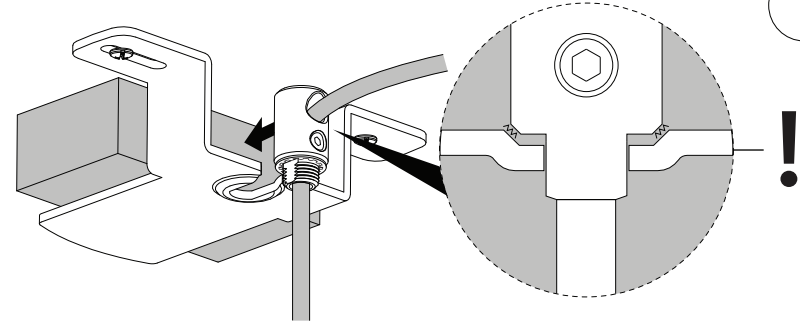


2a.

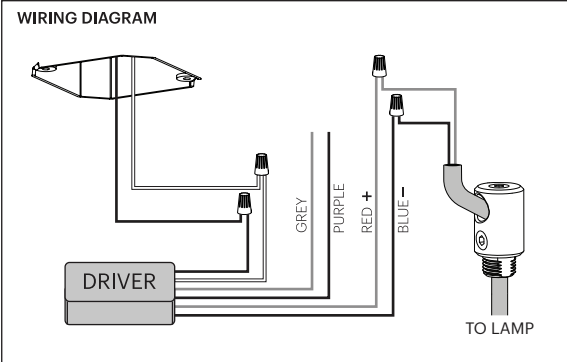
2b.



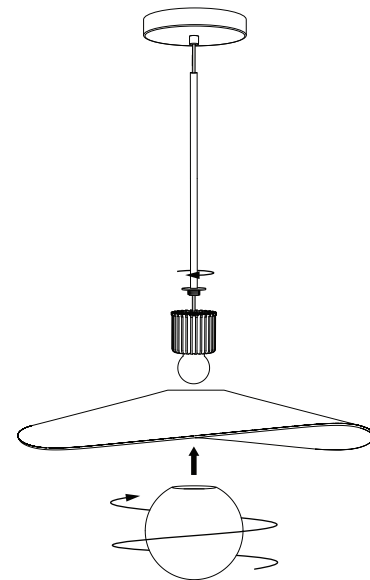
3.



4-5.

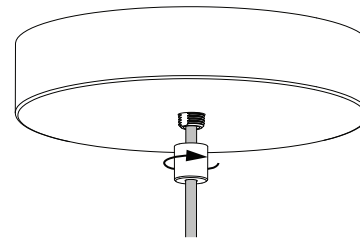


BOLA FELT PENDANT ASSEMBLY



GLOBE THREADS ONTO LIGHT ENGINE

6.



Pablo®

MULTI-LIGHT CANOPY

9" and 12"

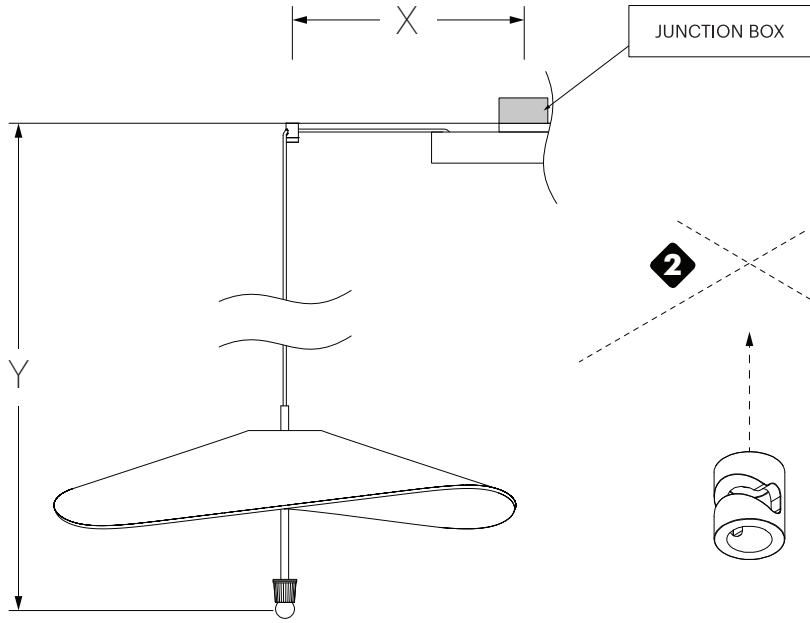
BOLA FELT PENDANT

ASSEMBLY & INSTALLATION INSTRUCTIONS



MULTI-LIGHT CANOPY

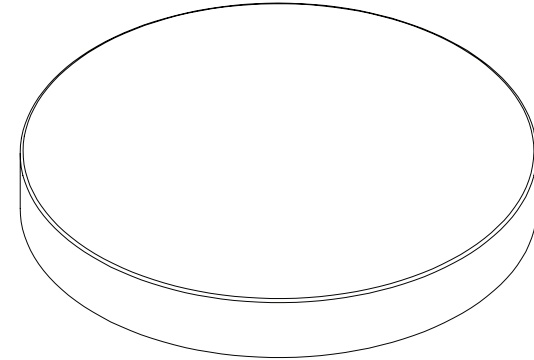
- 1** LOCATE BUILDING POWER FEED/JUNCTION BOX
 DETERMINE AND MARK SWAG LOCATIONS REFERENCING THE DIAGRAM AND PROVIDED CHART.
 PROVIDED LAMP WIRES ARE 8.9', LAMP HANG HEIGHT REDUCES IN RELATION TO SWAG DISTANCE FROM CANOPY.



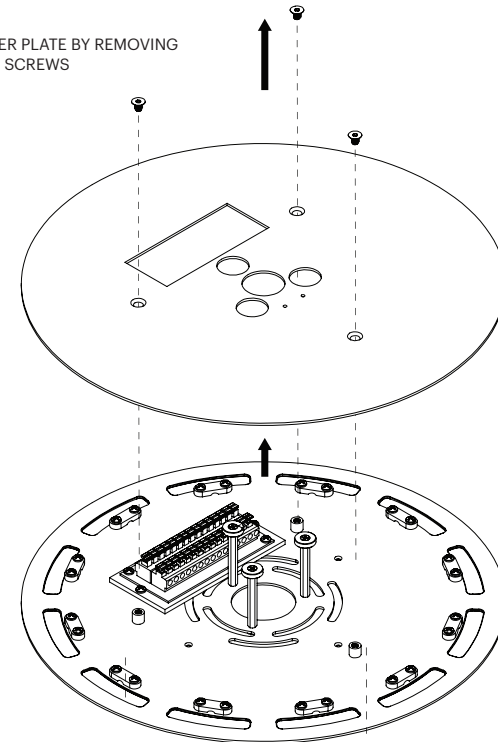
SWAG SPACING CENTER TO CENTER				
	BOLA DISC 12	BOLA DISC 18	BOLA DISC 22	BOLA DISC 32
BOLA DISC 12	5" 12.7 CM	8" 20.3 CM	9" 23 CM	13" 33 CM
BOLA DISC 18	8" 20.3 CM	8" 20.3 CM	9" 22.9 CM	13" 33 CM
BOLA DISC 22	9" 23 CM	9" 23 CM	9" 23 CM	13" 33 CM
BOLA DISC 32	13" 33 CM	13" 33 CM	13" 33 CM	13" 33 CM

MULTI-LIGHT CANOPY

- 3** REMOVE CANOPY COVER, SET ASIDE

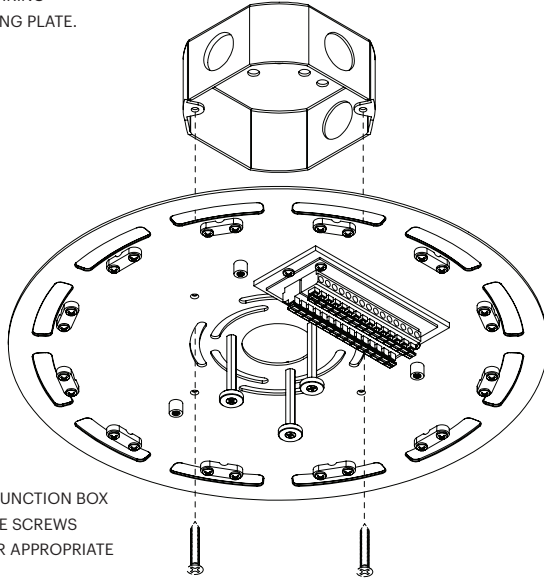


- 4** REMOVE DRIVER PLATE BY REMOVING
 3X FLAT HEAD SCREWS



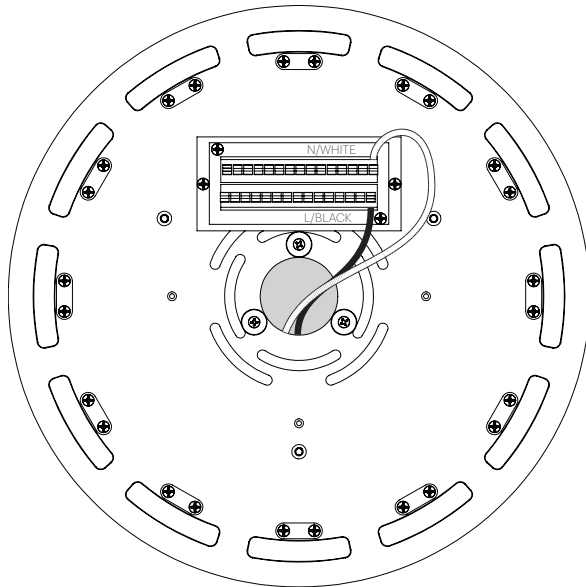
Pablo® MULTI-LIGHT CANOPY

5 ROUTE BUILDING WIRING THROUGH MOUNTING PLATE.



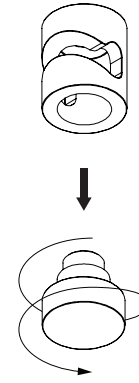
6 ATTACH PLATE TO JUNCTION BOX WITH 8-32 MACHINE SCREWS (NOT PROVIDED) OR APPROPRIATE ANCHORS.

7 WIRE BUILDING WIRING TO TERMINAL BLOCK.
US: BLACK TO BLACK AND WHITE TO WHITE EU: BLUE TO WHITE AND BROWN TO BLACK.

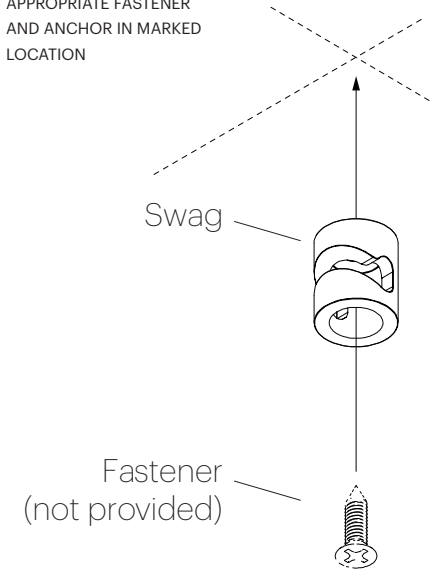


Pablo® MULTI-LIGHT CANOPY

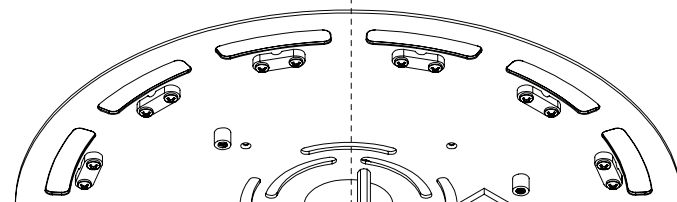
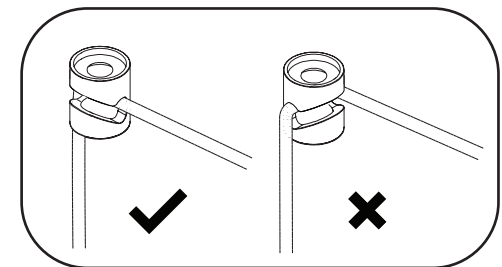
8 REMOVE THREADED SWAG CAP



9 MOUNT SWAG USING APPROPRIATE FASTENER AND ANCHOR IN MARKED LOCATION

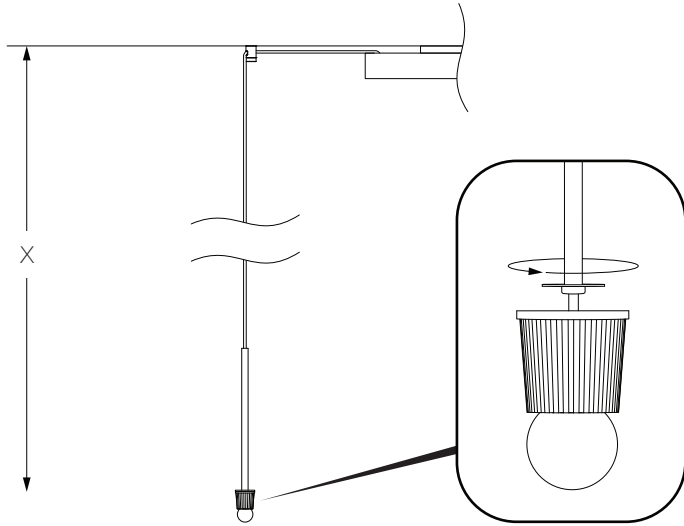


NOTE: Cable slot should face canopy center point.



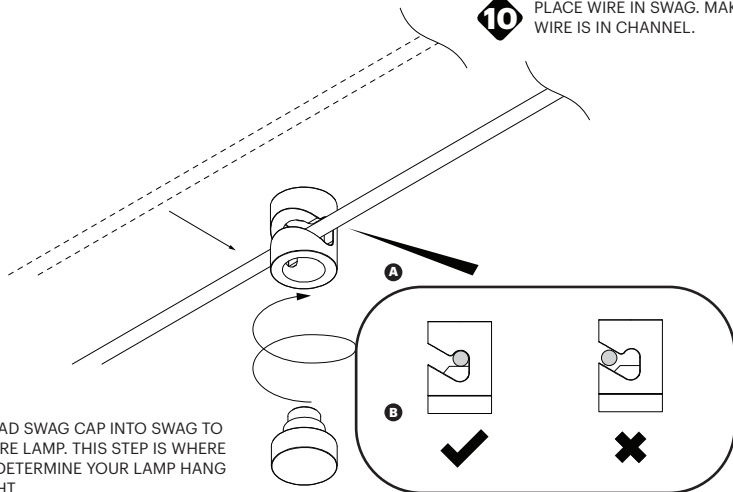
Pablo®

MULTI-LIGHT CANOPY



USE PROVIDED GLOVES WHEN HANDLING LAMP
TO AVOID FINGER MARKS.

10 PLACE WIRE IN SWAG. MAKE SURE
WIRE IS IN CHANNEL.

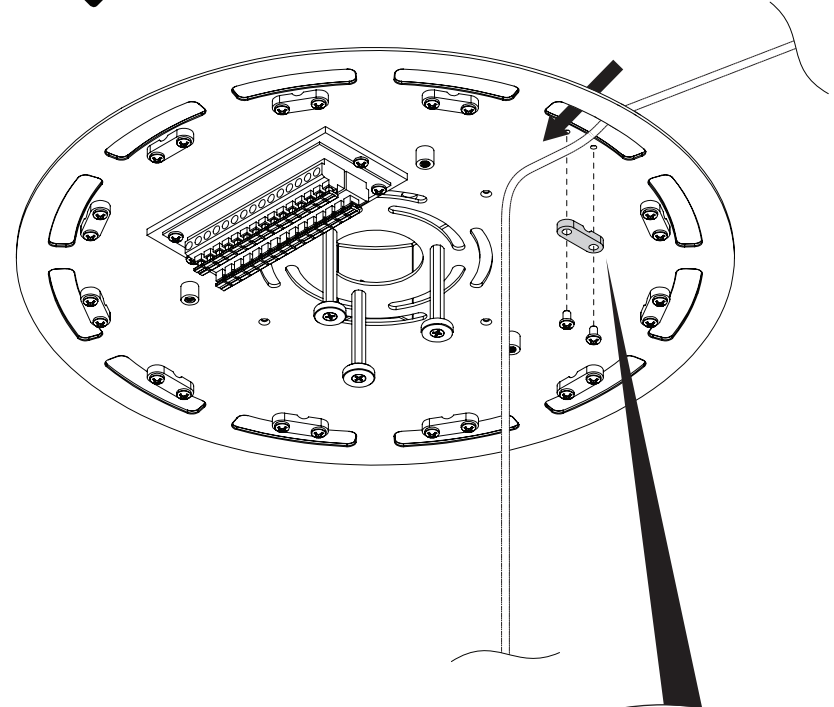


11 THREAD SWAG CAP INTO SWAG TO
SECURE LAMP. THIS STEP IS WHERE
YOU DETERMINE YOUR LAMP HANG
HEIGHT.

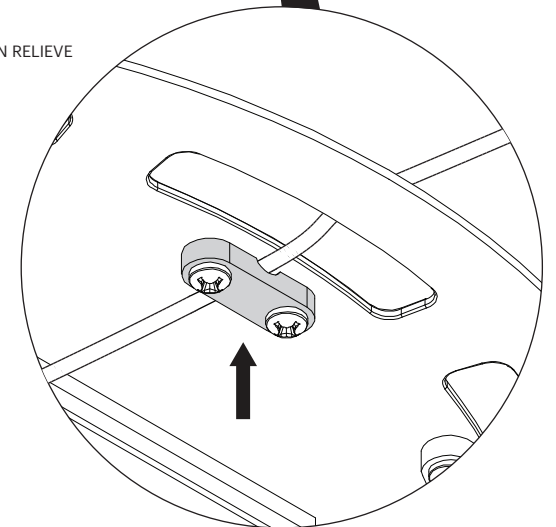
Pablo®

MULTI-LIGHT CANOPY

12 THREAD WIRE THROUGH MOUNT PLATE.



13 PULL WIRE THROUGH AND STRAIN RELIEVE



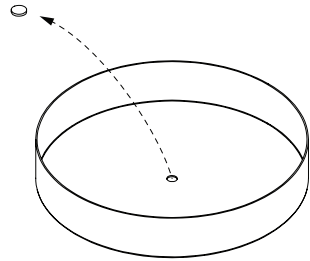
MULTI-LIGHT CANOPY

NOTE: STEP 14 APPLIES ONLY TO THE 9" CANOPY ONLY.

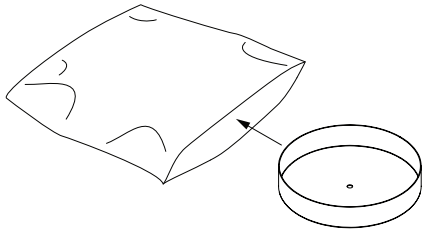
14

A REMOVE PLUG

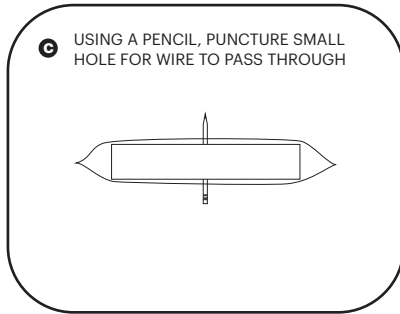
A



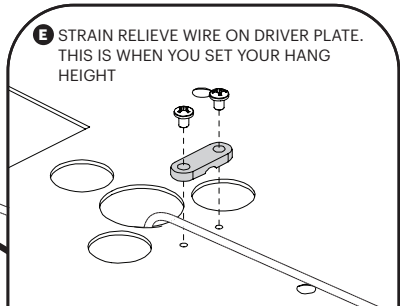
B PLACE CANOPY COVER BAG OVER CANOPY



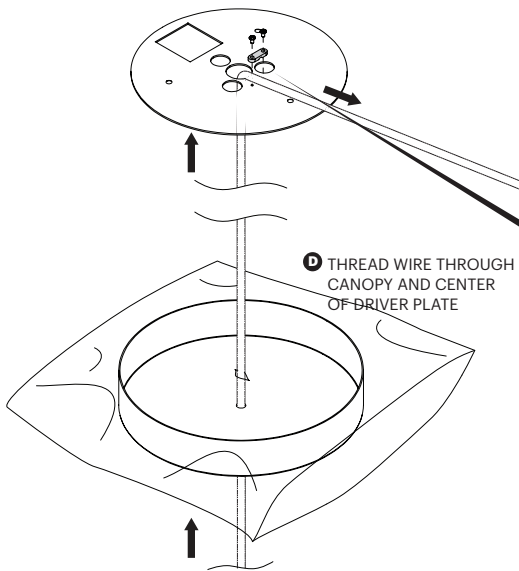
C USING A PENCIL, PUNCTURE SMALL HOLE FOR WIRE TO PASS THROUGH



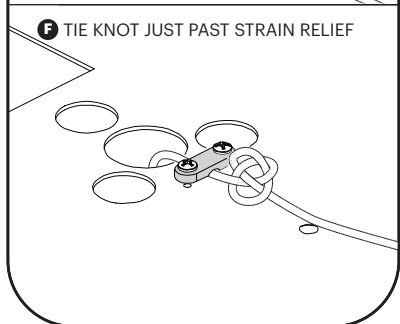
E STRAIN RELIEVE WIRE ON DRIVER PLATE. THIS IS WHEN YOU SET YOUR HANG HEIGHT



D THREAD WIRE THROUGH CANOPY AND CENTER OF DRIVER PLATE



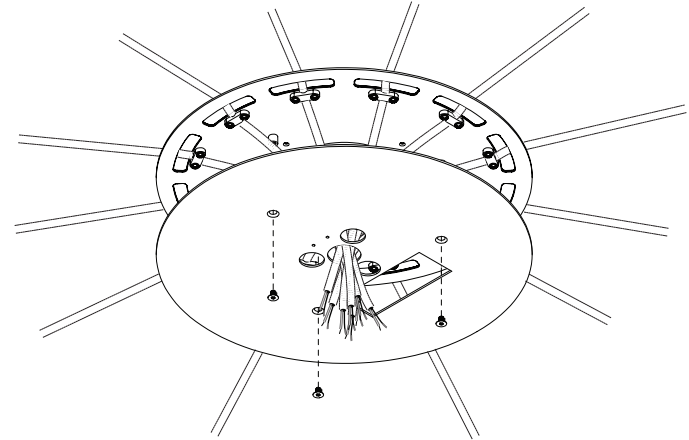
F TIE KNOT JUST PAST STRAIN RELIEF



MULTI-LIGHT CANOPY

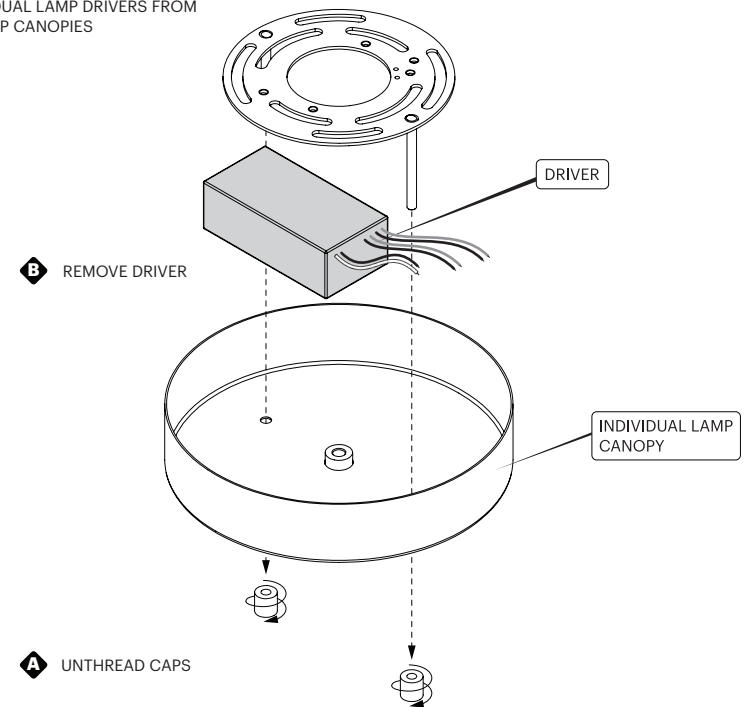
15

ATTACH DRIVER PLATE TO MOUNT PLATE WITH PROVIDED FLAT HEAD SCREWS
THREAD WIRES THROUGH CENTER OF DRIVER PLATE

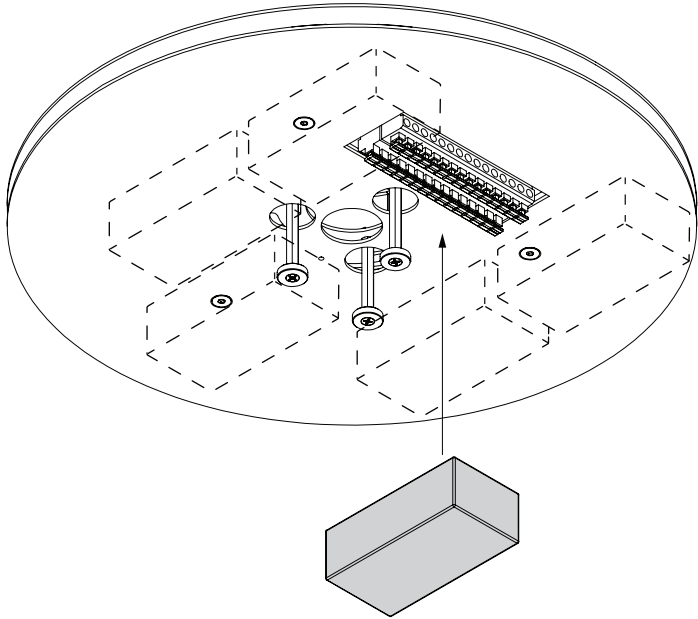


16

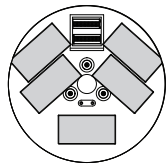
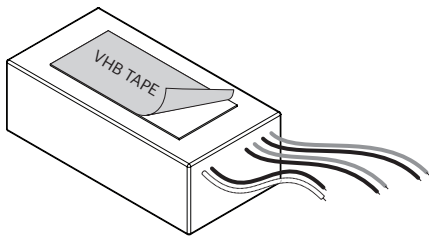
REMOVE INDIVIDUAL LAMP DRIVERS FROM INDIVIDUAL LAMP CANOPIES



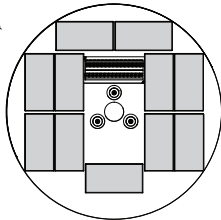
MULTI-LIGHT CANOPY



16 PEEL LINER OFF OF VHB TAPE AND ATTACH DRIVERS TO DRIVER PLATE



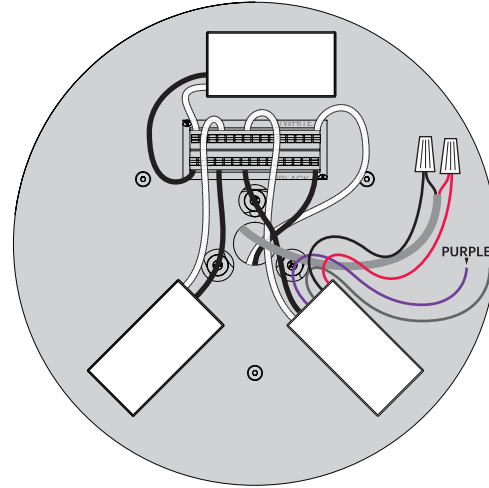
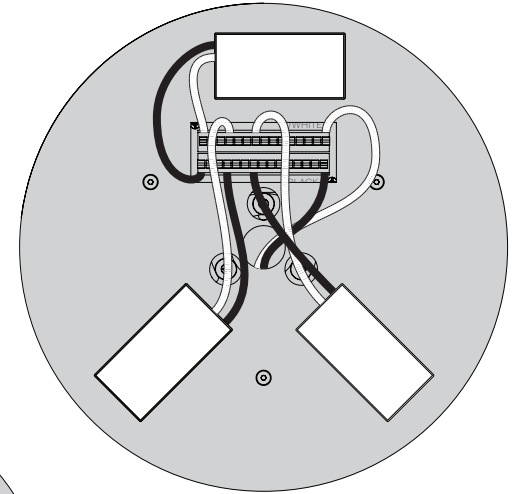
9" CANOPY
MAXIMUM
CAPACITY



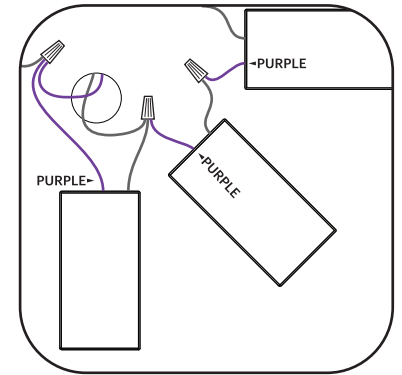
12" CANOPY
MAXIMUM
CAPACITY

MULTI-LIGHT CANOPY

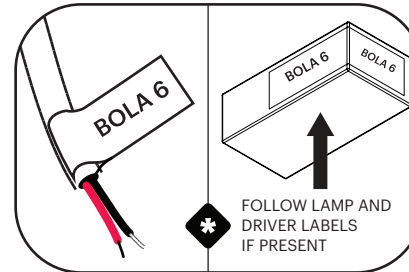
17 CONNECT DRIVERS TO TERMINAL BLOCK.
US: BLACK TO BLACK AND WHITE TO WHITE
EU: BROWN TO BROWN AND BLUE TO BLUE



18 ONE AT A TIME, WIRE LAMPS TO MATCHING DRIVERS. CUT EXCESS WIRES IF NECESSARY



! IF USING 0 - 10V DIMMING WIRE DIMMER IN PARALLEL



***** FOLLOW LAMP AND DRIVER LABELS IF PRESENT

Pablo®

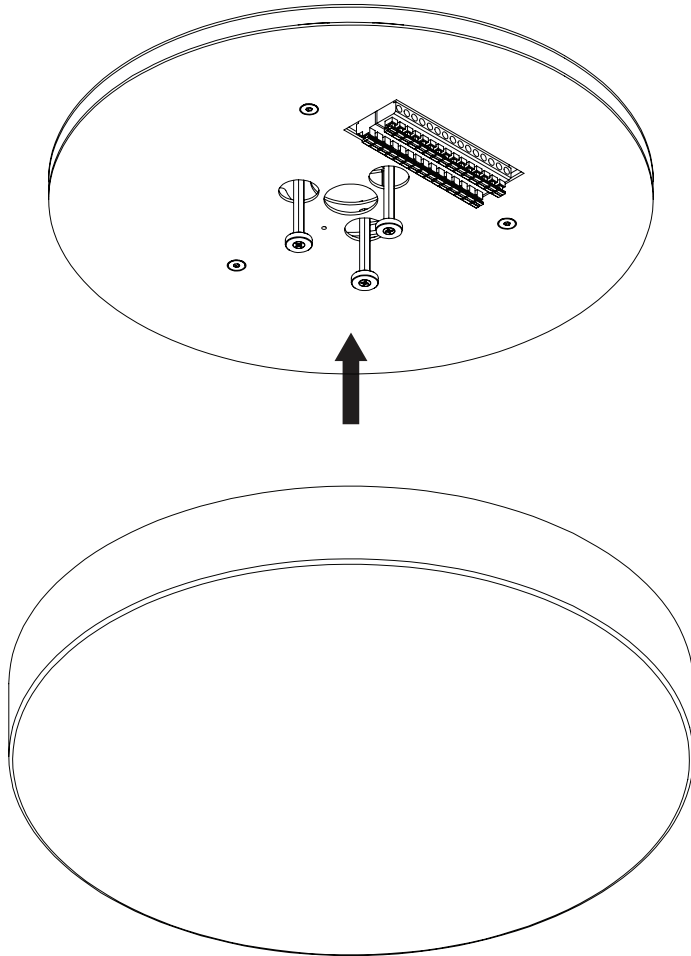
MULTI-LIGHT CANOPY

19

ATTACH CANOPY COVER

CARE INSTRUCTIONS

WIPE CLEAN WITH A SOFT DAMP CLOTH
AVOID AMMONIA BASED CLEANER.



USE PROVIDED GLOVES WHEN HANDLING LAMP
TO AVOID FINGER MARKS.

Pablo®

MULTI-LIGHT CANOPY



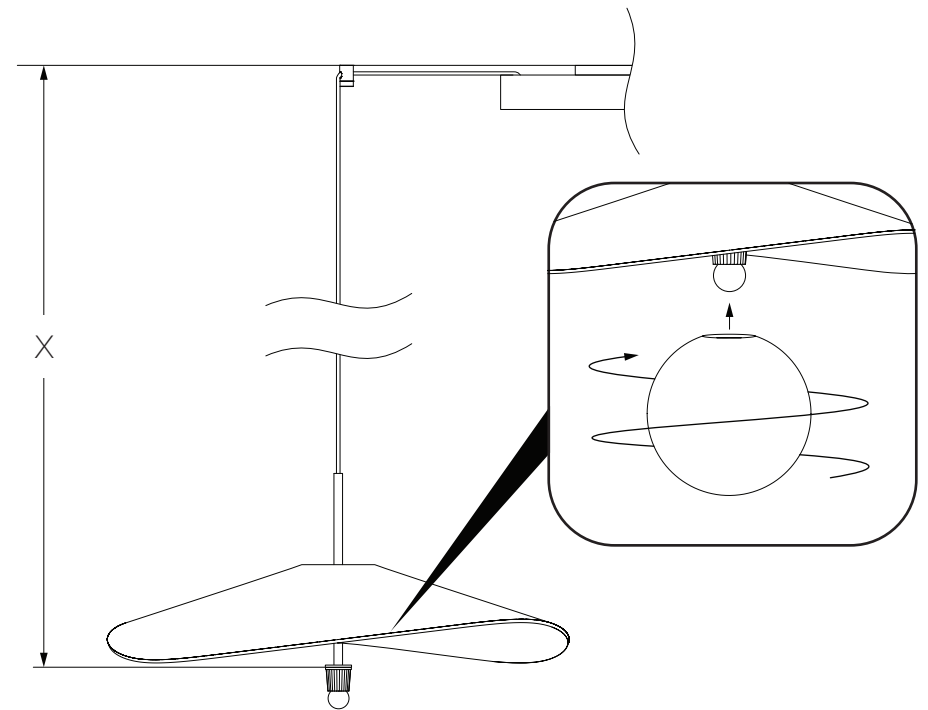
USE PROVIDED GLOVES WHEN HANDLING LAMP
TO AVOID FINGER MARKS.

20

THREAD GLOBE ONTO HEAT SINK.

CARE INSTRUCTIONS

WIPE CLEAN WITH A SOFT DAMP CLOTH
AVOID AMMONIA BASED CLEANER.



Pablo

INFO@PABLODESIGNS.COM
INFO@PABLODESIGNS.EU

888 MARIN STREET
SAN FRANCISCO, CA
94124

PABLODESIGNS.COM
PABLODESIGNS.EU